

**Iron Body (ASTM A 126, CLASS B)**

Style B 250# Threaded ¼” – 4” .....	2
Technical Data .....	3
Style B7 250# Threaded ¼” – 3” .....	4
Technical Data .....	5
Style A/GA 125# Flange 2” – 24” .....	6
Style A/GA 250# Flange 2” – 16” .....	6
Technical Data .....	7

**Ductile Iron Body (ASTM A 536, GRADE 65-45-12)**

Style BDI 300# Threaded ½” – 2” .....	8
Technical Data .....	9

**Bronze Body (ASTM B 584, C84400)**

Style F-150 125# Threaded ¼” – 3” .....	10
Style E-150 125# Solder Joint ¼” – 3” .....	10
Technical Data .....	11

**Bronze Body (ASTM B 62, C83600)**

Style F-300 250# Threaded ¼” – 3” .....	12
Style E-300 250# Solder Joint ¼” – 3” .....	12
Technical Data .....	13
Style BA 150# Flange 2” – 6” .....	14
Style BA 300# Flange 2” – 6” .....	14
Technical Data .....	15

**Nickel Aluminum Bronze Body (ASTM B 148, C95800)**

Style BA-7 150# Flange ½” – 12” .....	16
Style BA-7 300# Flange ½” – 12” .....	16
Technical Data .....	17

**Carbon Steel Body (ASTM A 216, GRADE WCB)**

Style SB-7 600# Threaded ¼” – 3” .....	18
Style SB-7 600# Socket Weld ¼” – 3” .....	18
Technical Data .....	19
Style SB-7BC 600# Threaded ¼” – 3” .....	20
Style SB-7BC 600# Socket Weld ¼” – 3” .....	20
Technical Data .....	21

**Pressure Drop Charts**

Threaded “Y” Strainers .....	46
Flanged “Y” Strainers .....	47
Style B7 .....	48

**Carbon Steel Body (Cont.) (ASTM A 216, GRADE WCB)**

Style SB 1500# Threaded ½” – 3” .....	22
Style SB 1500# Socket Weld ½” – 3” .....	22
Technical Data .....	23
Style SA-7 150# Flange ½” – 14” .....	24
Style SA-7 300# Flange ½” – 14” .....	24
Technical Data .....	25
Style SA 600# Flange ½” – 12” .....	26
Technical Data .....	27
Style SA-7 150# Butt Weld ½” – 12” .....	28
Style SA-7 300# Butt Weld ½” – 12” .....	28
Technical Data .....	29
Style SA 600# Butt Weld ½” – 12” .....	30
Technical Data .....	31

**316 Stainless Steel Body (ASTM A 351, GRADE CF8M)**

Style SSB-7 600# Threaded ¼” – 3” .....	32
Style SSB-7 600# Socket Weld ¼” – 3” .....	32
Technical Data .....	33
Style SSB-7BC 600# Threaded ¼” – 3” .....	34
Style SSB-7BC 600# Socket Weld ¼” – 3” .....	34
Technical Data .....	35
Style SSB 1500# Threaded ½” – 3” .....	36
Style SSB 1500# Socket Weld ½” – 3” .....	36
Technical Data .....	37
Style SSA-7 150# Flange ½” – 14” .....	38
Style SSA-7 300# Flange ½” – 14” .....	38
Technical Data .....	39
Style SSA 600# Flange ½” – 12” .....	40
Technical Data .....	41
Style SSA-7 150# Butt Weld ½” – 12” .....	42
Style SSA-7 300# Butt Weld ½” – 12” .....	42
Technical Data .....	43
Style SSA 600# Butt Weld ½” – 12” .....	44
Technical Data .....	45

# Style B

Y-Strainer

Cast Iron (ASTM A 126, Class B)

250 lb. Threaded



## Cast Iron Y-Strainer

### APPLICATIONS

Steam, water, oil or gas where protection from foreign matter in a pipeline is required.

### CONSTRUCTION

The Keckley Style B strainers are constructed from rugged cast iron castings that are machined to exacting specifications.

### FEATURES

The Keckley Style B features a tapered bushing in sizes 1/4" thru 2" and bolted cover with gasket for sizes 2-1/2", 3" and 4". All Keckley Style B strainers are furnished standard with a NPT blow-off connection and can be supplied with a cast iron blow-off plug upon request.

### SCREENS

Standard screens are 20 mesh 304 stainless steel through size 2". Sizes 2-1/2", 3" and 4" are furnished with 1/16" perforated 304 stainless steel screens. All screens are spot welded for maximum strength. Different size perforations and meshes are available in stainless steel, monel, and brass to meet specific media requirements. If media is not indicated, screens for *water* will be supplied.

### SELF CLEANING

Self cleaning is accomplished by opening the valve or drain plug connected to the blow-off port. **Warning:** See Maintenance Instructions on page S6 of the Strainer Information Section for additional precautions and detailed information on servicing the strainer.

### WORKING PRESSURES - NON SHOCK

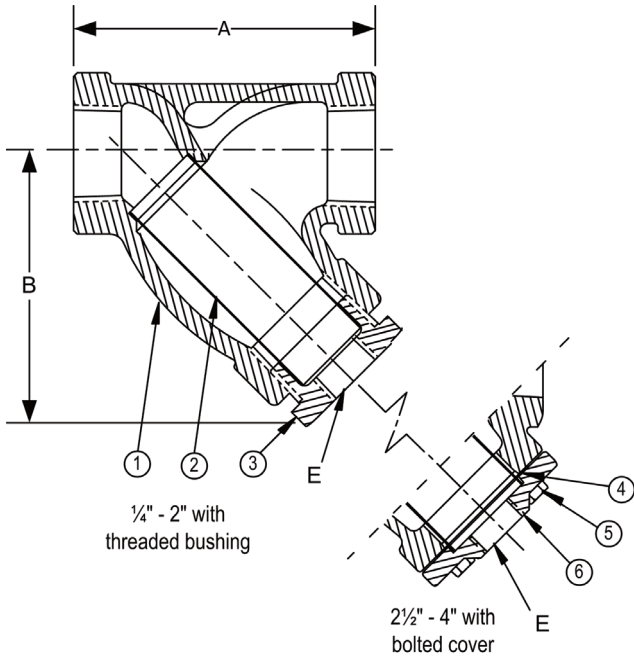
NOM. RATING	MEDIA	1/4" to 4"	8 mm to 100 mm
250# (Threaded)	STEAM	250 PSI @ 406°F	1724 KPa @ 208°C
	W.O.G.	400 PSI @ 150°F	2759 KPa @ 66°C

### GOVERNMENT/MILITARY SPECIFICATIONS

Style B cast iron threaded strainers meet or exceed government specification WW-S-2739 (Supersedes MIL-S-16293).

# Style B

**Y-Strainer, 250 lb. Threaded**  
**Cast Iron (ASTM A 126, Class B)**



PARTS LIST		
ITEM	DESCRIPTION	MATERIAL
1	Body	Cast Iron (ASTM A 126, Class B)
2	Screen	Stainless Steel (304)
3	Bushing	Malleable Iron
4	Gasket*	Composition
5	Cap Screw*	Steel
6	Cover*	Cast Iron (ASTM A 126, Class B)

Optional: Blow-off Plug, Malleable Iron

\*2 1/2", 3" & 4" only.

**STANDARD SCREENS SUPPLIED**

SIZE		SCREEN GAGE	SCREEN PERFORMANCE						
			FOR STEAM		FOR LIQUID				
in	mm		in	mm	OPEN AREA	in	mm	OPEN AREA	
1/4 to 2	8 to 50		20 MESH STAINLESS STEEL				49%		
2-1/2 to 4	65 to 100	28	3/64	1.2	33%	1/16	1.6	30%	

Standard screens supplied are for **liquid service**, unless otherwise specified.  
Options: Other meshes, perforations, and screen materials are available.

SIZE		DIMENSIONS						WEIGHTS	
		A		B		E			
in	mm	in	mm	in	mm	in	mm	lbs	kgs
1/4	8	3	76	2-5/8	67	3/8	10	2	0.9
3/8	10	3	76	2-5/8	67	3/8	10	2	0.9
1/2	15	3	76	2-5/8	67	3/8	10	2	0.9
3/4	20	4	102	3-5/8	92	1/2	15	3	1.4
1	25	4-7/8	124	4-1/2	114	3/4	20	4.5	2.0
1-1/4	32	5-1/8	130	4-3/4	121	3/4	20	6	2.7
1-1/2	40	5-3/4	146	4-7/8	124	1	25	8	3.6
2	50	7-1/4	184	5-3/4	146	1-1/4	32	15.5	7.0
2-1/2	65	8-7/8	225	7-1/2	191	1-1/4	32	25	11.3
3	80	10	254	8	203	1-1/2	40	36	16.3
4	100	15-1/4	387	12-1/2	318	2	50	95	43.1

Certified dimensional drawings are available upon request.

†This table reflects only the nearest metric equivalents.

**FLOW COEFFICIENTS**

Size	C <sub>v</sub>	Size	C <sub>v</sub>	Size	C <sub>v</sub>
1/2"	9.5	1-1/4"	44.9	2-1/2"	129.7
3/4"	18.7	1-1/2"	61	3"	161.3
1"	30	2"	98	4"	256.2

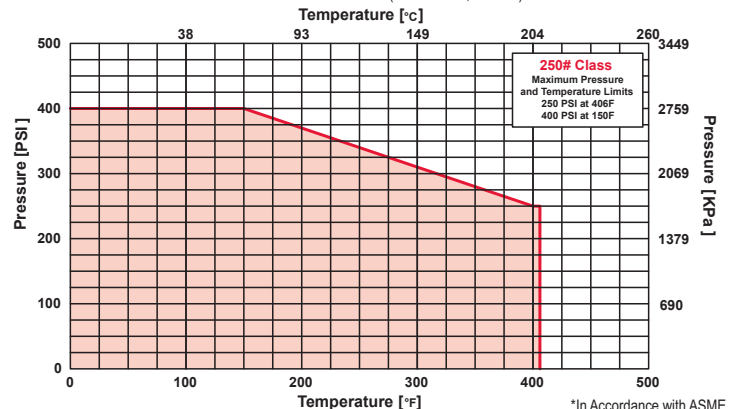
**TOTAL SCREEN AREA**

Size	(in <sup>2</sup> )	Size	(in <sup>2</sup> )	Size	(in <sup>2</sup> )
1/2"	5.50	1-1/4"	18.69	2-1/2"	54.13
3/4"	8.59	1-1/2"	23.37	3"	73.51
1"	15.22	2"	36.23	4"	154.98

\*See DETERMINING RATIOS on page S5 of the Strainer Information Section for calculating NET FREE AREA of the screen to inside pipe area.

**PRESSURE vs. TEMPERATURE CHART**

250# Threaded Cast Iron (ASTM A 126, Class B)



\*In Accordance with ASME B16.4

# Style B7

Y-Strainer

Cast Iron (ASTM A 126, Class B)

250 lb. Threaded



## Cast Iron Y-Strainer

### APPLICATIONS

Steam, water, oil or gas where protection from foreign matter in a pipeline is required.

### CONSTRUCTION

The Keckley Style B7 strainers are constructed from rugged cast iron castings that are machined to exacting specifications.

### FEATURES

The Keckley Style B7 strainer features a straight thread bushing in sizes 1/4" thru 3". All Keckley Style B7 strainers are furnished standard with a NPT blow-off connection and can be supplied with a cast iron blow-off plug upon request.

### SCREENS

Standard screens are 20 mesh 304 stainless steel through size 2". Sizes 1-1/2" and 3" are furnished with 1/16" perforated 304 stainless steel screens. All screens are spot welded for maximum strength. Different size perforations and meshes are available in stainless steel, monel, and brass to meet specific media requirements. If media is not indicated, screens for *water* will be supplied.

### SELF CLEANING

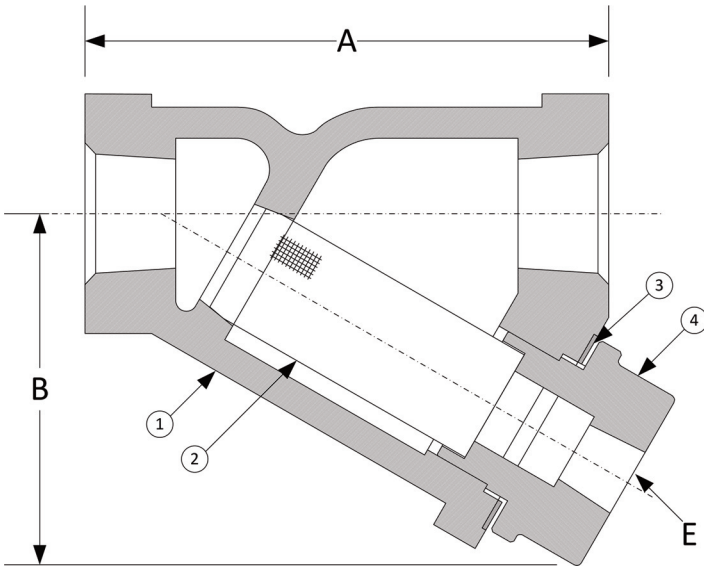
Self cleaning is accomplished by opening the valve or drain plug connected to the blow-off port. **Warning:** See Maintenance Instructions on page S6 of the Strainer Information Section for additional precautions and detailed information on servicing the strainer.

### WORKING PRESSURES - NON SHOCK

NOM. RATING	MEDIA	1/4" to 3"	8 mm to 80 mm
250# (Threaded)	STEAM	250 PSI @ 406°F	1724 KPa @ 208°C
	W.O.G.	400 PSI @ 150°F	2759 KPa @ 66°C

# Style B7

**Y-Strainer, 250 lb. Threaded**  
**Cast Iron (ASTM A 126, Class B)**



PARTS LIST		
ITEM	DESCRIPTION	MATERIAL
1	Body	Cast Iron (ASTM A 126, Class B)
2	Screen	Stainless Steel (304)
3	Gasket	Graphite
4	Bushing	Cast Iron (ASTM A 126, Class B)

Optional: Blow-off Plug, Malleable Iron

**STANDARD SCREENS SUPPLIED**

SIZE		SCREEN GAGE	SCREEN PERFORATION			
in	mm		FOR STEAM	OPEN AREA	FOR LIQUID	OPEN AREA
			in	mm	in	mm
1/4 to 2	8 to 50		20 MESH STAINLESS STEEL			49%
2-1/2 to 3	65 to 80	28	3/64	1.2	33%	1/16 1.6 30%

Standard screens supplied are for **liquid service**, unless otherwise specified.  
Options: Other meshes, perforations, and screen materials are available.

SIZE		DIMENSIONS						WEIGHTS	
		A		B		E			
in	mm	in	mm	in	mm	in	mm	lbs	kg
1/4	8	3-3/16	81	2-1/16	52	1/4	8	2	0.7
3/8	10	3-3/16	81	2-1/16	52	1/4	8	2	0.7
1/2	15	3-3/16	81	2-1/16	52	1/4	8	2	0.7
3/4	20	3-3/4	95	2-7/16	61	3/8	10	3	1.0
1	25	4	102	2-5/8	66	3/8	10	3	1.4
1-1/4	32	5	127	3-3/8	85	3/4	20	5	2.3
1-1/2	40	5-3/4	146	3-7/8	98	3/4	20	7	3.0
2	50	7-	177	4-3/4	121	1	25	13	5.7
2-1/2	65	9-1/4	235	5-7/8	149	1-1/2	40	26	11.4
3	80	10	254	6	152	1-1/2	40	30	13.6

Certified dimensional drawings are available upon request.

†This table reflects only the nearest metric equivalents.

**FLOW COEFFICIENTS**

Size	C <sub>v</sub>	Size	C <sub>v</sub>	Size	C <sub>v</sub>
1/4"	0.7	1"	22	2-1/2"	110
3/8"	2	1-1/4"	38	3"	160
1/2"	8	1-1/2"	42		
3/4"	15	2"	71		

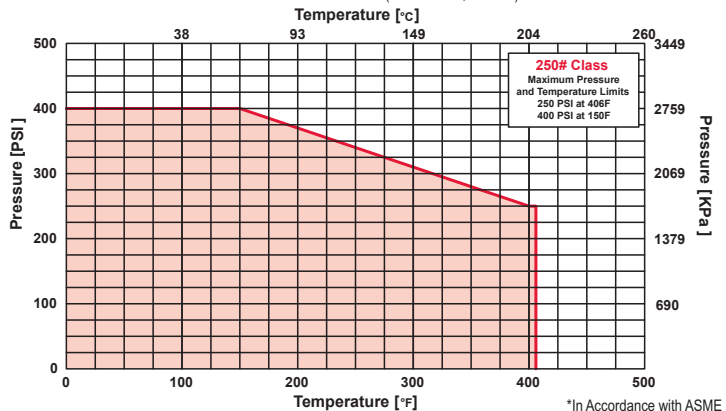
**TOTAL SCREEN AREA**

Size	(in <sup>2</sup> )	Size	(in <sup>2</sup> )	Size	(in <sup>2</sup> )
1/4"	3.57	1"	8.06	2-1/2"	47.12
3/8"	3.57	1-1/4"	12.94	3"	47.12
1/2"	3.57	1-1/2"	18.85		
3/4"	6.05	2"	27.44		

\*See DETERMINING RATIOS on page S5 of the Strainer Information Section for calculating NET FREE AREA of the screen to inside pipe area.

**PRESSURE vs. TEMPERATURE CHART**

250# Threaded Cast Iron (ASTM A 126, Class B)



## Style A

### Y-Strainer

Cast Iron (ASTM A 126, Class B)

125 lb. & 250 lb. Flanged



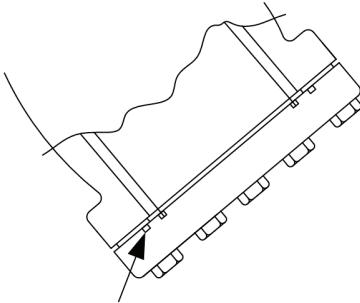
## Style GA

### (Natural Gas Service)

### Y-Strainer

Cast Iron (ASTM A 126, Class B)

125 lb. & 250 lb. Flanged



(Special O-Ring Seal  
With Solid Cover Plate)

## Cast Iron Y-Strainer

### APPLICATIONS

Steam, water, oil or gas where protection from foreign matter in a pipeline is required.

### CONSTRUCTION

The Keckley Style A strainers are constructed from rugged cast iron castings that are machined to exacting specifications. These bodies have drilled flanges that are in accordance with ASME B16.1.

The Keckley Style GA strainers are used extensively for protecting gas meters and compressors in metering stations. The strainer utilizes a Buna N-70-Durometer O-Ring instead of a conventional gasket on the solid cover plate.

### FEATURES

The Keckley Style A strainer features a machined groove in both the body and cover for proper screen alignment and to ensure accurate reseating when servicing is required. The gasket is a synthetic fiber that is compressed between the body and cover for maximum strength and durability. Keckley Style A strainers can be furnished with a blow-off plug upon request.

### SCREENS

Standard perforated 304 stainless steel screens are spot welded along the seam for maximum strength. Different size perforations and meshes are available in stainless steel, monel, and brass to meet specific media requirements. If the media is not indicated, screens for *water* will be supplied.

### SELF CLEANING

Self cleaning is accomplished by opening the valve or drain plug connected to the blow-off port. **Warning:** See Maintenance Instructions on page S6 of the Strainer Information Section for additional precautions and detailed information on servicing the strainer.

### WORKING PRESSURES - NON SHOCK

NOM. RATING	MEDIA	2" to 12"	50 mm to 300 mm
125# F.F. & D. (STANDARD FLANGE)	STEAM	125 PSI @ 450°F	862 KPa @ 232°C
	W.O.G.	200 PSI @ 150°F	1379 KPa @ 66°C
	<b>MEDIA</b>	<b>14" and UP</b>	<b>350 mm and UP</b>
	STEAM	100 PSI @ 353°F	690 KPa @ 178°C
	W.O.G.	150 PSI @ 150°F	1035 KPa @ 66°C
NOM. RATING	MEDIA	2" to 12"	50 mm to 300 mm
250# R.F. & D. (EX. HEAVY FLANGE)	STEAM	250 PSI @ 450°F	1724 KPa @ 232°C
	W.O.G.	500 PSI @ 150°F	3449 KPa @ 66°C
	<b>MEDIA</b>	<b>14" and UP</b>	<b>350 mm and UP</b>
	STEAM	200 PSI @ 406°F	1379 KPa @ 208°C
	W.O.G.	300 PSI @ 150°F	2069 KPa @ 66°C

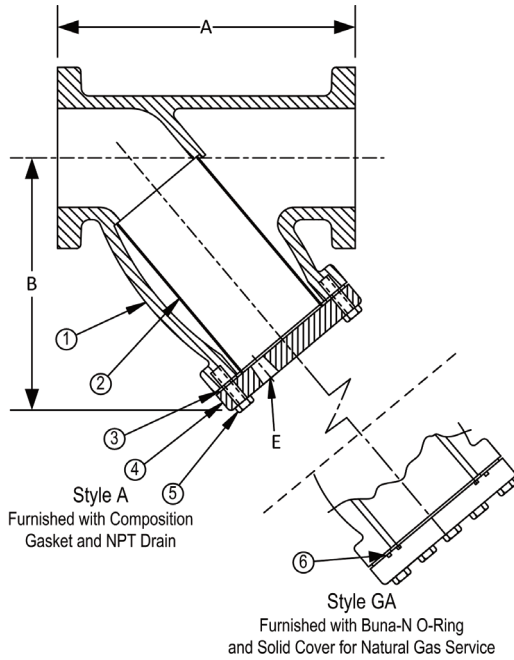
### GOVERNMENT/MILITARY SPECIFICATIONS

Style A cast iron flanged strainers meet or exceed government specification WW-S-2739 (Supersedes MIL-S-16293).



## Style A & GA

Y-Strainer, 125 lb. & 250 lb. Flanged  
Cast Iron (ASTM A 126, Class B)



PARTS LIST		
ITEM	DESCRIPTION	MATERIAL
1	Body	Cast Iron (ASTM A 126, Class B)
2	Screen	Stainless Steel (304)
3	Gasket	Composition
4	Cover	Cast Iron (ASTM A 126, Class B)
5	Hex Head Cap Screw	Steel
6*	O-Ring	Buna-N

Optional: Blow-off Plug, Malleable Iron.  
\*Denotes parts for the Style GA strainer only.

SIZE		STANDARD SCREENS SUPPLIED							
		SCREEN GAGE	SCREEN PERFORMATION						
in	mm		FOR STEAM	OPEN AREA	FOR LIQUID	OPEN AREA			
2 to 4	50 to 100	28	3/64	1.2	33%	1/16	1.6	30%	
5 to 10	125 to 250	24	3/64	1.2	33%	1/8	3.2	43%	
12	300	24	1/16	1.6	30%	1/8	3.2	43%	
14 & up	350 & UP	20	1/8	3.2	43%	1/8	3.2	43%	

Standard screens supplied are for liquid service, unless otherwise specified.  
Options: Other perforations, meshes, and screen materials are available.

SIZE		DIMENSIONS												WEIGHTS			
		A				B				E				125#		250#	
		125#		250#		125#		250#		125#		250#		lbs	kgs	lbs	kgs
in	mm	in	mm	in	mm	in	mm	in	mm	in	mm	in	mm	lbs	kgs	lbs	kgs
2	50	8-3/8	213	9-7/8	251	8-3/8	213	6-1/4	159	1-1/4	32	1/2	15	30	14	33	15
2-1/2	65	9-7/8	251	11-1/4	286	8-3/8	213	7-3/4	197	1-1/4	32	1	25	35	16	49	22
3	80	10-1/4	260	12-1/2	318	7-3/8	187	8-1/4	210	1	25	1	25	35	16	57	26
4	100	12-1/8	308	14-5/8	371	8-3/4	222	10-1/8	257	1-1/2	40	1-1/4	32	65	29	106	48
5	125	15-5/8	397	18	457	12	305	12-1/2	318	2	50	1-1/4	32	105	48	157	71
6	150	18-9/16	471	20-3/8	518	14	356	14-3/8	365	2	50	1-1/2	40	155	70	215	98
8	200	24-1/8	613	23-7/8	606	17-3/4	451	17-1/2	445	2	50	1-1/2	40	240	109	315	143
10	250	29-9/16	751	29-5/8	752	21-1/4	540	21	533	2	50	2	50	400	181	525	238
12	300	33-3/4	857	33-3/4	857	24	610	23-5/8	600	2	50	2	50	500	227	700	318
14	350	37-1/8	943	37-1/4	946	25-1/2	648	27-1/8	689	2	50	2	50	825	374	1400	635
16	400	42-3/8	1076	42-3/8	1076	29-1/8	740	29-1/4	743	2	50	2	50	1050	476	1850	839
18	450	46-3/16	1173	--	--	41	1041	--	--	2	50	--	--	1723	782	--	--
20	500	54-1/2	1384	--	--	43	1092	--	--	2	50	--	--	2660	1207	--	--
24	600	55-13/16	1418	--	--	41	1041	--	--	2	50	--	--	3400	1542	--	--

Certified dimensional drawings are available upon request.

\*This table reflects only the nearest metric equivalents.

### FLOW COEFFICIENTS

Size	C <sub>v</sub>	Size	C <sub>v</sub>	Size	C <sub>v</sub>	Size	C <sub>v</sub>
2"	62	5"	364	12"	2261	20"	8064
2 1/2"	98	6"	585	14"	3479	(Reflects 125 lb. castings only)	
3"	155	8"	942	16"	5060		
4"	269	10"	1572	18"	6008		

### TOTAL SCREEN AREA

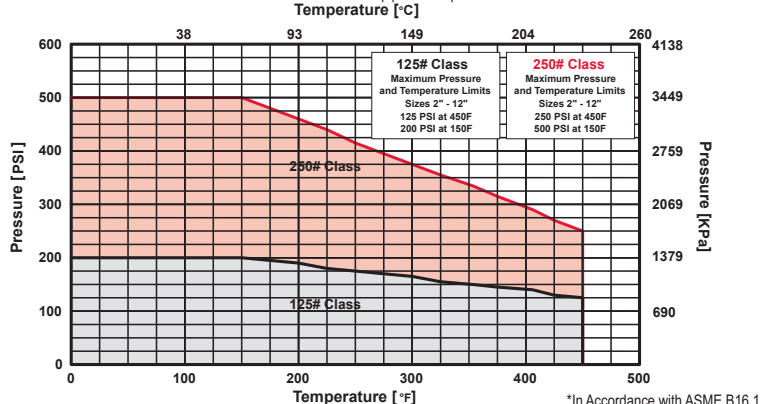
Size	(in <sup>2</sup> )	Size	(in <sup>2</sup> )	Size	(in <sup>2</sup> )	Size	(in <sup>2</sup> )
2"	51.55	5"	136.09	12"	835.53	20"	2947.1
2 1/2"	70.01	6"	242.72	14"	1175.30	(Reflects 125 lb. castings only)	
3"	61.34	8"	411.16	16"	1471.34		
4"	99.64	10"	610.51	18"	2381.54		

\*See DETERMINING RATIOS on page S5 of the Strainer Information Section for calculating NET FREE AREA of the screen to inside pipe area.

### PRESSURE vs. TEMPERATURE CHART

125# & 250# Flanged Cast Iron (ASTM A 126, Class B)

Suitable for use with pipe sizes up to 12"



# Style BDI

Y-Strainer

Ductile Iron (ASTM A 536, Grade 65-45-12)

300 lb. Threaded



## Ductile Iron Y-Strainer

### APPLICATIONS

Steam, water, oil or gas where protection from foreign matter in a pipeline is required.

### CONSTRUCTION

The Keckley Style BDI strainers are constructed from rugged ductile iron castings that are machined to exacting specifications.

### FEATURES

The Keckley Style BDI features a tapered bushing and is furnished standard with a NPT blow-off connection and can be supplied with an iron blow-off plug upon request.

### SCREENS

Standard screens are 20 mesh 304 stainless steel and are spot welded for maximum strength. Different size perforations and meshes are available in stainless steel, monel, and brass to meet specific media requirements. If media is not indicated, screens for *water* will be supplied.

### SELF CLEANING

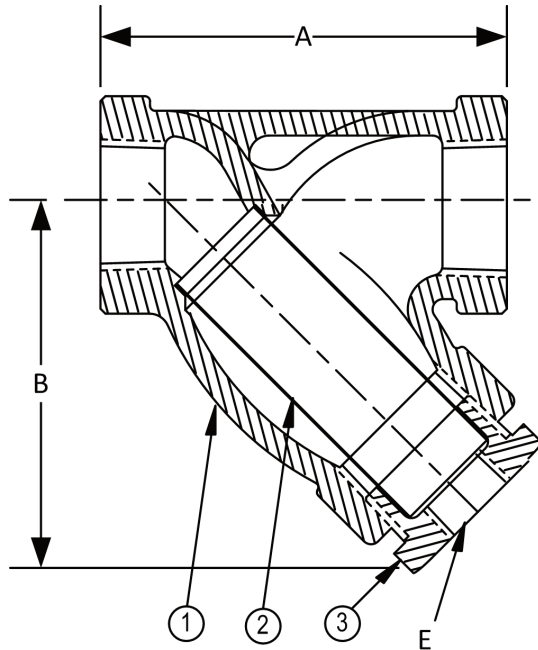
Self cleaning is accomplished by opening the valve or drain plug connected to the blow-off port. **Warning:** See Maintenance Instructions on page S6 of the Strainer Information Section for additional precautions and detailed information on servicing the strainer.

### WORKING PRESSURES - NON SHOCK

NOM. RATING	MEDIA	1/2" to 2"	15 mm to 50 mm
300# (Threaded)	STEAM	450 PSI @ 650°F	3104 KPa @ 343°C
	W.O.G.	640 PSI @ 100°F	4414 KPa @ 38°C



## Style BDI

**Y-Strainer, 300 lb. Threaded**
**Ductile Iron (ASTM A 536, Grade 65-45-12)**

**PARTS LIST**

ITEM	DESCRIPTION	MATERIAL
1	Body	Ductile Iron (ASTM A 536, Grade 65-45-12)
2	Screen	Stainless Steel (304)
3	Bushing	Ductile Iron

Optional: Blow-off Plug, Malleable Iron.

**STANDARD SCREENS SUPPLIED**

SIZE		SCREEN GAGE	SCREEN PERFORATION					
in	mm		FOR STEAM		FOR LIQUID			
			in	mm	AREA	in	mm	AREA
1/2 to 2	15 to 50		20 MESH STAINLESS STEEL				49%	

Options: Other meshes, perforations, and screen materials are available.

SIZE		DIMENSIONS						WEIGHTS	
		A		B		E			
in	mm	in	mm	in	mm	in	mm	lbs	kgs
1/2	15	3	76	2-5/8	67	3/8	10	2	0.9
3/4	20	4	102	3-5/8	92	1/2	15	3	1.4
1	25	4-7/8	124	4-1/2	114	3/4	20	4.5	2.0
1-1/4	32	5-1/8	130	4-3/4	121	3/4	20	6	2.7
1-1/2	40	5-3/4	146	4-7/8	124	1	25	8	3.6
2	50	7-1/4	184	5-3/4	146	1-1/4	32	15.5	7.0

†This table reflects only the nearest metric equivalents.

Tensile Strength: 60/80,000 PSI

Yield Strength: 45/60,000 PSI

Elongation: 10/30%

**FLOW COEFFICIENTS**

Size	C <sub>v</sub>	Size	C <sub>v</sub>	Size	C <sub>v</sub>
1/2"	9.5	1"	30	1-1/2"	61
3/4"	18.7	1-1/4"	44.9	2"	98

**TOTAL SCREEN AREA**

Size	(in <sup>2</sup> )	Size	(in <sup>2</sup> )	Size	(in <sup>2</sup> )
1/2"	5.50	1"	15.22	1-1/2"	23.37
3/4"	8.59	1-1/4"	18.69	2"	36.23

\*See DETERMINING RATIOS on page S5 of the Strainer Information Section for calculating NET FREE AREA of the screen to inside pipe area.

Certified Dimensional Drawings are Available Upon Request.

## Style F-150

Y-Strainer

Cast Bronze (ASTM B 584, C84400)

125 lb. Threaded



## Style E-150

Y-Strainer

Cast Bronze (ASTM B 584, C84400)

125 lb. Solder Joint



## Cast Bronze Y-Strainer

### APPLICATIONS

Steam, water, oil or gas where protection from foreign matter in a pipeline is required.

### CONSTRUCTION

The Keckley Style F-150 & E-150 strainers are constructed from the finest bronze castings and are machined to exacting specifications.

Solder Joint Ends are in compliance with ASME B16.8 unless otherwise specified.

### FEATURES

The Keckley Style F-150 & E-150 strainers feature a machined seat in the body and cap for proper alignment and to ensure accurate reseating when servicing is required. These strainers have a straight threaded cap and are furnished standard with a NPT blow-off connection. The gasket is a flat fiber gasket that is compressed between the body and cap for maximum strength and durability. Keckley Style F-150 & E-150 strainers are furnished with a bronze blow-off plug unless otherwise specified.

### SCREENS

Standard screens are 20 mesh 304 stainless steel through size 2". Sizes 2-1/2", 3" and 4" are furnished with 3/64" perforated 304 stainless steel screens. All screens are spot welded for maximum strength. Different size perforations and meshes are available in stainless steel, monel, and brass to meet specific media requirements.

### SELF CLEANING

Self cleaning is accomplished by opening the valve or drain plug connected to the blow-off port. **Warning:** See Maintenance Instructions on page S6 of the Strainer Information Section for additional precautions and detailed information on servicing the strainer.

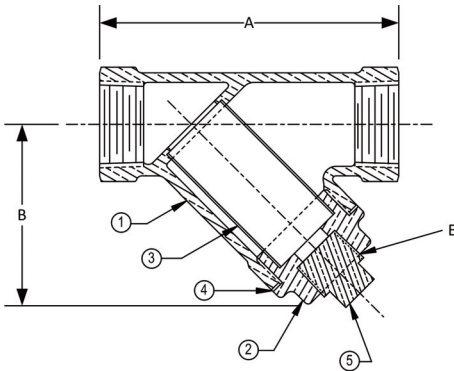
### WORKING PRESSURES - NON SHOCK

NOM. RATING	MEDIA	1/4" to 3"	8 mm to 80 mm
125# (THREADED & SOLDER JOINT)	STEAM	125 PSI @ 400°F	862 KPa @ 204°C
	W.O.G.	200 PSI @ 150°F	1379 KPa @ 66°C

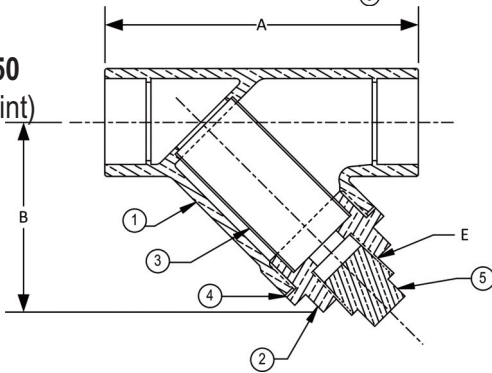
# Style F-150 & E-150

Y-Strainer, 125 lb. Threaded & Solder Joint  
Cast Bronze (ASTM B 584, C84400)

**Style F-150**  
(Threaded)



**Style E-150**  
(Solder Joint)



**PARTS LIST**

ITEM	DESCRIPTION	MATERIAL
1	Body	Bronze (ASTM A B584, C84400)
2	Cap	Bronze (ASTM A B584, C84400)
3	Screen	Stainless Steel (304)
4	Gasket	Composition
5	Plug	Bronze (ASTM A B584, C84400)

**STANDARD SCREENS SUPPLIED**

SIZE		SCREEN GAGE	SCREEN PERFORMANCE						
in	mm		FOR STEAM		OPEN AREA	FOR LIQUID		OPEN AREA	
			in	mm		in	mm		
1/4 to 2	8 to 50		20 MESH STAINLESS STEEL						49%
2-1/2 to 3	65 & 80	28	3/64	1.2	33%	3/64	1.2	33%	

Options: Other meshes, perforations, and screen materials are available.

SIZE		DIMENSIONS												WEIGHTS			
		A				B				E				F-150		E-150	
		F-150		E-150		F-150		E-150		F-150		E-150		F-150		E-150	
in	mm	in	mm	in	mm	in	mm	in	mm	in	mm	in	mm	lbs	kgs	lbs	kgs
1/4	8	3-3/16	81	3-3/8	86	2-1/4	57	2-1/4	57	3/8	10	3/8	10	0.80	0.4	0.75	0.3
3/8	10	3-3/16	81	3-3/8	86	2-1/4	57	2-1/4	57	3/8	10	3/8	10	0.80	0.4	0.75	0.3
1/2	15	3-3/16	81	3-3/8	86	2-1/4	57	2-1/4	57	3/8	10	3/8	10	0.80	0.4	0.75	0.3
3/4	20	3-15/16	100	4-1/4	108	2-5/8	67	2-5/8	67	3/8	10	3/8	10	1.20	0.5	1.00	0.5
1	25	4-1/2	114	5	127	3	76	3-3/16	81	1/2	15	1/2	15	1.80	0.8	2.25	1.0
1-1/4	32	5-5/16	135	5-7/8	149	3-9/16	90	3-3/4	95	1/2	15	1/2	15	2.70	1.2	2.75	1.2
1-1/2	40	6-3/16	157	6-7/8	175	4	102	4-1/8	105	1/2	15	1/2	15	3.60	1.6	3.25	1.5
2	50	7-1/2	191	8-5/8	219	4-5/8	117	5-1/8	130	1/2	15	1/2	15	5.60	2.5	5.75	2.6
2-1/2	65	9	229	10-3/8	264	5-1/2	140	5-3/4	146	1/2	15	1/2	15	10.00	4.5	8.50	3.9
3	80	10-1/8	257	11-3/4	298	6-1/8	156	6-1/2	165	1/2	15	1/2	15	13.50	6.1	12.50	5.7

Certified dimensional drawings are available upon request.

†This table reflects only the nearest metric equivalents.

**FLOW COEFFICIENTS**

Size	C <sub>v</sub>	Size	C <sub>v</sub>	Size	C <sub>v</sub>
1/4"	9.5	1"	30	2-1/2"	129.7
3/8"	9.5	1-1/4"	44.9	3"	161.3
1/2"	9.5	1-1/2"	61		
3/4"	18.7	2"	98		

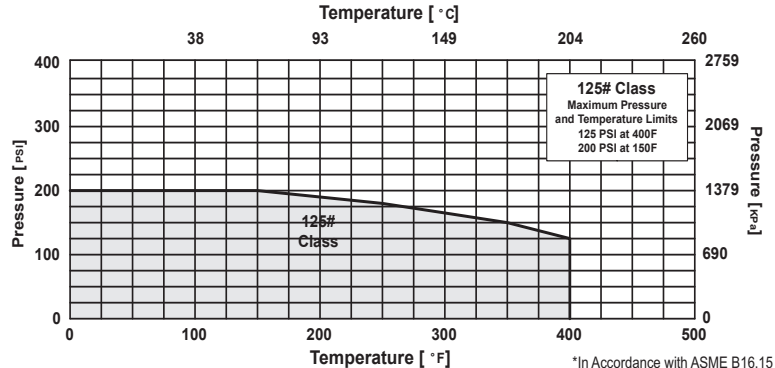
**TOTAL SCREEN AREA**

Size	(in <sup>2</sup> )	Size	(in <sup>2</sup> )	Size	(in <sup>2</sup> )
1/4"	3.09	1"	9.54	2-1/2"	46.98
3/8"	3.09	1-1/4"	14.26	3"	62.87
1/2"	3.09	1-1/2"	19.94		
3/4"	7.36	2"	33.39		

\*See DETERMINING RATIOS on page S5 of the Strainer Information Section for calculating NET FREE AREA of the screen to inside pipe area.

**PRESSURE vs. TEMPERATURE CHART**

125# Threaded & Solder Joint Bronze (ASTM B 548, C84400)



## Style F-300

Y-Strainer

Cast Bronze (ASTM B 62, C83600)

250 lb. Threaded



## Style E-300

Y-Strainer

Cast Bronze (ASTM B 62, C83600)

250 lb. Solder Joint



## Cast Bronze Y-Strainer

### APPLICATIONS

Steam, water, oil or gas where protection from foreign matter in a pipeline is required.

### CONSTRUCTION

The Keckley Style F-300 & E-300 strainers are constructed from the finest bronze castings and are machined to exacting specifications.

Solder Joint Ends are in compliance with ASME B16.18 unless otherwise specified.

### FEATURES

The Keckley Style F-300 & E-300 strainers feature a machined seat in the body and cap for proper alignment and to ensure accurate reseating when servicing is required. These strainers have a straight threaded cap and are furnished standard with a NPT blow-off connection. The gasket is a flat copper gasket that is compressed between the body and cap for a maximum strength and durability. Keckley Style F-300 & E-300 strainers can be furnished with a bronze blow-off plug upon request.

### SCREENS

Standard perforated brass screens are spot welded along the seam for maximum strength. Different size perforations and meshes are available in stainless steel, monel, and brass to meet specific media requirements. If media is not indicated, screens for *water* will be supplied.

### SELF CLEANING

Self cleaning is accomplished by opening the valve or drain plug connected to the blow-off port. **Warning:** See Maintenance Instructions on page S6 of the Strainer Information Section for additional precautions and detailed information on servicing the strainer.

### WORKING PRESSURES - NON SHOCK

NOM. RATING	MEDIA	1/4" to 3"	8 mm to 80 mm
250# (THREADED & SOLDER JOINT)	STEAM	235 PSI @ 400°F	1621 KPa @ 204°C
	W.O.G.	400 PSI @ 150°F 250 PSI @ 400°F	2759 KPa @ 66°C 1724 KPa @ 204°C

### GOVERNMENT/MILITARY SPECIFICATIONS

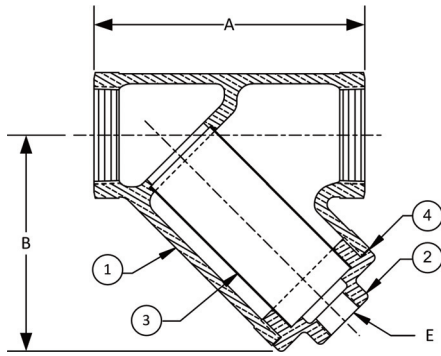
Specification: NAVSHIPS 810-841499.

Consult Factory for additional requirements.

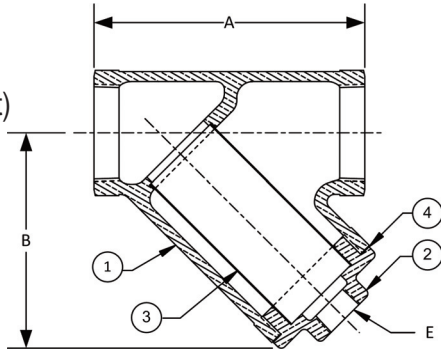
# Style F-300 & E-300

Y-Strainer, 250 lb. Threaded & Solder Joint  
Cast Bronze (ASTM B 62, C83600)

Style F-300  
(Threaded)



Style E-300  
(Solder Joint)



**PARTS LIST**

ITEM	DESCRIPTION	MATERIAL
1	Body	Bronze (ASTM B 62, C83600)
2	Cap	Bronze (ASTM B 62, C83600)
3	Screen	Brass
4	Gasket	Copper

Optional: Blow-off Plug, Brass.

**STANDARD SCREENS SUPPLIED**

SIZE		SCREEN GAGE	SCREEN PERFORMATION					
in	mm		FOR STEAM	OPEN AREA	FOR LIQUID	OPEN AREA		
1/4 to 3	8 to 80	24	1/32	0.8	29%	3/64	1.2	33%

Standard screens supplied are for **liquid service**, unless otherwise specified.  
Options: Other perforations, meshes, and screen materials are available.

SIZE		DIMENSIONS												WEIGHTS			
		A				B				E				F-300		E-300	
		F-300		E-300		F-300		E-300		F-300		E-300		F-300		E-300	
in	mm	in	mm	in	mm	in	mm	in	mm	in	mm	in	mm	lbs	kgs	lbs	kgs
1/4	8	2-9/16	65	2-9/16	65	2	51	2	51	1/8	6	1/8	6	0.75	0.3	0.75	0.3
3/8	10	2-9/16	65	2-9/16	65	2	51	2	51	1/8	6	1/8	6	0.75	0.3	0.75	0.3
1/2	15	2-15/16	75	2-9/16	65	2-1/8	54	2	51	1/8	6	1/8	6	1.00	0.5	0.75	0.3
3/4	20	3-3/8	86	2-15/16	75	2-11/16	68	2-1/8	54	1/4	8	1/8	6	1.50	0.7	1.00	0.5
1	25	4-1/8	105	3-3/8	86	3	76	2-11/16	68	1/4	8	1/4	8	2.50	1.1	1.50	0.7
1-1/4	32	4-13/16	122	4-1/8	105	3-3/4	95	3	76	3/8	10	1/4	8	4.25	1.9	2.50	1.1
1-1/2	40	5-3/8	137	4-13/16	122	4-3/8	111	3-3/4	95	1/2	15	3/8	10	6.25	2.8	4.25	1.9
2	50	6-5/8	168	5-3/8	137	5-1/2	140	4-3/8	111	3/4	20	1/2	15	11.00	5.0	6.25	2.8
2-1/2	65	8-1/4	210	6-5/8	168	6-3/4	171	5-1/2	140	1-1/4	32	3/4	20	17.75	8.1	11.00	5.0
3	80	9-5/8	244	8-1/4	210	7-1/8	181	6-3/4	171	1-1/2	40	1-1/4	32	25.75	11.7	17.75	8.1

Certified dimensional drawings are available upon request.

†This table reflects only the nearest metric equivalents.

**FLOW COEFFICIENTS**

Size	C <sub>v</sub>	Size	C <sub>v</sub>	Size	C <sub>v</sub>
1/4"	9.5	1"	30	2-1/2"	129.7
3/8"	9.5	1-1/4"	44.9	3"	161.3
1/2"	9.5	1-1/2"	61	<i>(The flow coefficients listed are for Style F-300)</i>	
3/4"	18.7	2"	98		

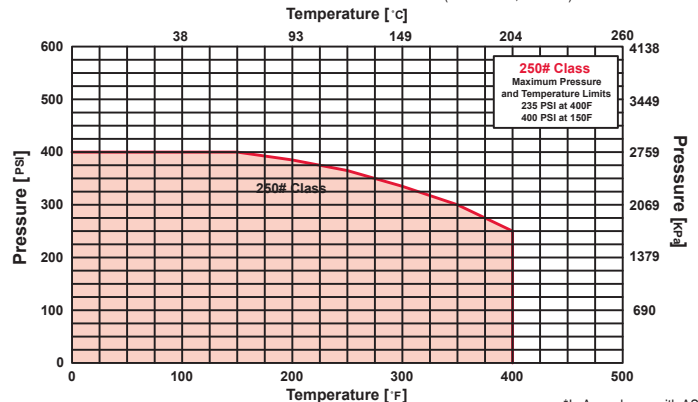
**TOTAL SCREEN AREA**

Size	(in <sup>2</sup> )	Size	(in <sup>2</sup> )	Size	(in <sup>2</sup> )
1/4"	2.36	1"	9.54	2-1/2"	45.09
3/8"	2.36	1-1/4"	14.11	3"	56.56
1/2"	3.44	1-1/2"	19.88	<i>(Total screen area listed are for Style F-300)</i>	
3/4"	5.67	2"	32.97		

\*See DETERMINING RATIOS on page S5 of the Strainer Information Section for calculating NET FREE AREA of the screen to inside pipe area.

**PRESSURE vs. TEMPERATURE CHART**

250# Threaded & Solder Joint Cast Bronze (ASTM B 62, C83600)



\*In Accordance with ASME B16.15



# Style BA

Y-Strainer

Cast Bronze (ASTM B 62, C83600)

150 lb. & 300 lb. Flanged



## Cast Bronze Y-Strainer

### APPLICATIONS

Steam, water, oil or gas where protection from foreign matter in a pipeline is required.

### CONSTRUCTION

The Keckley Style BA strainers are constructed from the finest bronze castings and are machined to exacting specifications. These bodies have drilled flanges that are in accordance with ASME B16.24.

### FEATURES

The Keckley Style BA strainer features a machined groove in both the body and cover for proper alignment and to ensure accurate reseating when servicing is required. The gasket is a flexible laminated sheet that is compressed between the body and cover for maximum strength and durability. All Keckley Style BA strainers can be supplied with a brass blow-off plug upon request.

### SCREENS

Standard perforated brass screens are spot welded along the seam for maximum strength. Different size perforations and meshes are available in stainless steel, monel, and brass to meet specific media requirements. If media is not indicated, screens for *water* will be supplied.

### SELF CLEANING

Self cleaning is accomplished by opening the valve or drain plug connected to the blow-off port. **Warning:** See Maintenance Instructions on page S6 of the Strainer Information Section for additional precautions and detailed information on servicing the strainer.

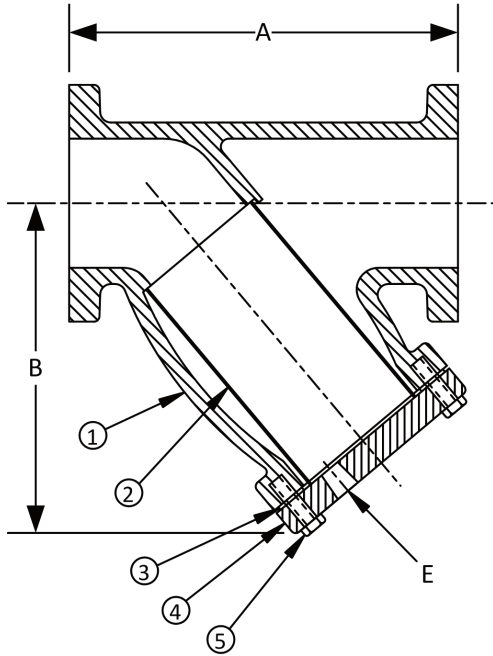
### WORKING PRESSURES - NON SHOCK

NOM. RATING	MEDIA	2" to 6"	50 mm to 150 mm
150# F.F. & D. (STANDARD FLANGE)	STEAM	150 PSI @ 406°F	1035 KPa @ 208°C
	W.O.G.	225 PSI @ 150°F	1552 KPa @ 66°C
NOM. RATING	MEDIA	2" to 6"	50 mm to 150 mm
300# F.F. & D. (EX. HEAVY FLANGE)	STEAM	300 PSI @ 406°F	2069 KPa @ 208°C
	W.O.G.	500 PSI @ 150°F	3449 KPa @ 66°C



## Style BA

Y-Strainer, 150 lb. & 300 lb. Flanged  
Cast Bronze (ASTM B 62, C83600)



**PARTS LIST**

ITEM	DESCRIPTION	MATERIAL
1	Body	Cast Bronze (ASTM B 62, C83600)
2	Screen	Brass
3	Gasket	Composition
4	Cover	Cast Bronze (ASTM B 62, C83600)
5	Hex Head Cap Screws	Steel

Optional: Blow-off Plug, Brass.

**STANDARD SCREENS SUPPLIED**

SIZE		SCREEN GAGE	SCREEN PERFORMANCE					
in	mm		FOR STEAM		OPEN AREA	FOR LIQUID		OPEN AREA
			in	mm		in	mm	
2 to 4	50 to 100	28	3/64	1.2	33%	1/16	1.6	30%
5 to 6	125 to 150	24	3/64	1.2	33%	1/8	3.2	43%

Standard screens supplied are for **liquid service**, unless otherwise specified.  
Options: Other perforations, meshes, and screen materials are available.

SIZE		DIMENSIONS								WEIGHTS			
		A				B		E		150#		300#	
		150#		300#		150# & 300#		150# & 300#		lbs	kgs	lbs	kgs
in	mm	in	mm	in	mm	in	mm	in	mm				
2	50	8-1/8	206	8-5/8	219	8-1/4	210	1-1/4	32	34	15	39	18
2-1/2	65	9-5/8	244	10-1/8	257	8-1/2	216	1-1/4	32	40	18	57	26
3	80	10-3/8	264	10-15/16	278	8-1/2	216	1-1/4	32	51	23	74	34
4	100	14-7/8	378	15-1/4	387	12-1/2	318	2	50	109	49	149	68
5	125	16	406	16-3/4	425	14-1/2	368	2	50	161	73	221	100
6	150	18-9/16	471	18-1/8	460	15	381	2	50	198	88	253	115

Certified dimensional drawings are available upon request.

†This table reflects only the nearest metric equivalents.

**FLOW COEFFICIENTS**

Size	C <sub>v</sub>	Size	C <sub>v</sub>	Size	C <sub>v</sub>
2"	62	3"	155	5"	364
2-1/2"	98	4"	269	6"	585

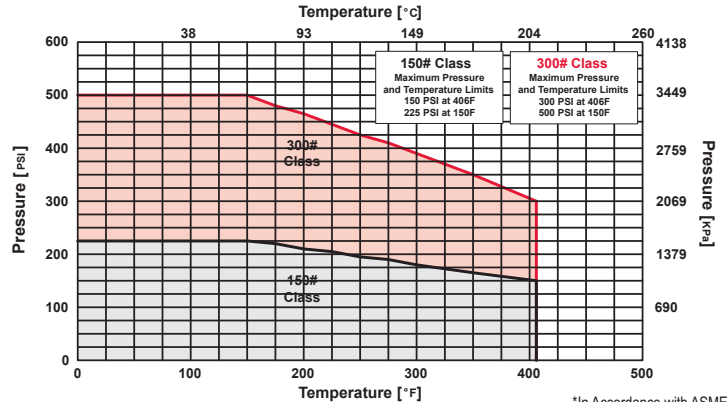
**TOTAL SCREEN AREA**

Size	(in <sup>2</sup> )	Size	(in <sup>2</sup> )	Size	(in <sup>2</sup> )
2"	51.55	3"	85.86	5"	219.79
2-1/2"	70.01	4"	154.98	6"	245.08

\*See DETERMINING RATIOS on page S5 of the Strainer Information Section for calculating NET FREE AREA of the screen to inside pipe area.

**PRESSURE vs. TEMPERATURE CHART**

150# & 300# Flanged Cast Bronze (ASTM B 62, C83600)



\*In Accordance with ASME B16.24

# Style BA-7

Y-Strainer

Nickel Aluminum Bronze

(ASTM B 148, C95800)

150 lb. & 300 lb. Flanged



## Cast Nickel Aluminum Bronze Y-Strainer

### APPLICATIONS

Steam, water, oil or gas where protection from foreign matter in a pipeline is required.

### CONSTRUCTION

The Keckley Style BA-7 strainers are constructed from rugged nickel aluminum bronze castings and are machined to exacting specifications. These bodies have drilled flanges that are in accordance with ASME B16.24. All flanges come standard with back-faced bolt holes.

### FEATURES

The Keckley Style BA-7 strainer features a machined groove in both the body and cover for proper screen alignment and to ensure accurate reseating when servicing is required. The gasket is spiral wound 316 stainless steel and is compressed between the body and cover (for maximum strength and durability) and designed for high pressure and high temperature service. All Keckley Style BA-7 strainers have cap screws and can be furnished with a brass blow-off plug upon request.

### SCREENS

Standard perforated 304 stainless steel screens are spot welded along the seam for maximum strength. Different size perforations and meshes are available in stainless steel, monel, and brass to meet specific media requirements. If media is not indicated, screens for *water* will be supplied.

### SELF CLEANING

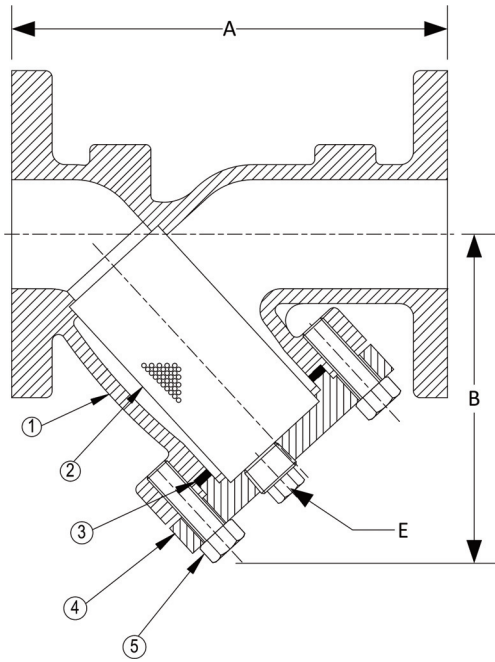
Self cleaning is accomplished by opening the valve or drain plug connected to the blow-off port. **Warning:** See Maintenance Instructions on page S6 of the Strainer Information Section for additional precautions and detailed information on servicing the strainer.

### WORKING PRESSURES - NON SHOCK

NOM. RATING	MEDIA	1/2" to 12"	15 mm to 300 mm
150# F.F. & D. (STANDARD FLANGE)	STEAM	150 PSI @ 225°F	1034 KPa @ 107°C
	W.O.G.	195 PSI @ 100°F	1344 KPa @ 38°C
NOM. RATING	MEDIA	1/2" to 12"	15 mm to 300 mm
300# F.F. & D. (EX. HEAVY FLANGE)	STEAM	360 PSI @ 500°F	2482 KPa @ 260°C
	W.O.G.	515 PSI @ 100°F	3551 KPa @ 38°C

# Style BA-7

**Y-Strainer, 150 lb. & 300 lb. Flanged**  
**Cast Nickel Aluminum Bronze (ASTM B 148, C95800)**



**PARTS LIST**

ITEM	DESCRIPTION	MATERIAL
1	Body	Nickel Aluminum Bronze (ASTM B 148, C95800)
2	Screen	Stainless Steel (304)
3	Gasket	Spiral Wound Stainless Steel (304)
4	Cover	Nickel Aluminum Bronze (ASTM B 148, C95800)
5	Cap Screw	Stainless Steel (ASTM A 193, Grade B8)

Optional: Blow-off Plug, Brass.

**STANDARD SCREENS SUPPLIED**

SIZE		SCREEN GAGE	SCREEN PERFORATION					
in	mm		FOR STEAM		OPEN AREA	FOR LIQUID		OPEN AREA
			in	mm		in	mm	
1/2 to 4	15 to 100	28	3/64	1.2	33%	1/16	1.6	30%
5 to 10	125 to 250	22	3/64	1.2	33%	1/8	3.2	43%
12	300	22	1/16	1.6	30%	1/8	3.2	43%

Standard screens supplied are for **liquid service**, unless otherwise specified.  
Options: Other perforations, meshes, and screen materials are available.

SIZE		DIMENSIONS										WEIGHTS			
		A				B				E		150#		300#	
		150#		300#		150#		300#		150# & 300#		lbs	kgs	lbs	kgs
in	mm	in	mm	in	mm	in	mm	in	mm	in	mm				
1/2	15	5-7/8	149	6	152	3-1/4	83	3-1/4	83	3/8	10	7	3.1	12	5.4
3/4	20	7-3/8	187	7-13/16	198	3-3/4	95	3-3/4	95	1/2	15	13	5.9	18	8.1
1	25	7-3/8	187	7-13/16	198	3-3/4	95	3-5/8	92	1/2	15	13	5.9	18	8.1
1-1/4	32	6-5/8	168	8	203	4-5/16	110	4-1/2	114	1/2	15	17	7.7	26	11
1-1/2	40	6-11/16	170	8-1/8	206	4-5/16	110	4-3/4	121	1/2	15	17	7.7	26	11
2	50	7-7/8	200	9	229	5-1/4	133	6	152	1/2	15	28	12	28	12.7
2-1/2	65	9-3/4	248	10-5/8	270	6-1/2	165	7-3/8	187	1	20	38	17	48	21
3	80	10	254	12-1/2	318	7	178	9-1/16	230	1-1/4	32	64	29	75	34
4	100	12-1/8	308	15-1/8	384	8-1/4	210	10-7/8	276	1-1/2	40	84	38	110	50
5	125	15-1/2	394	18-5/8	479	11-1/4	286	13-9/16	344	2	50	139	63	164	74
6	150	18-1/2	470	19-1/8	486	13-1/2	343	15-7/8	403	2	50	160	72	212	96
8	200	24	610	25-3/16	640	16-1/2	413	16-1/2	413	2	50	296	134	359	163
10	250	27-5/8	702	29-1/8	740	19-3/8	492	19-3/8	492	2	50	408	185	493	224
12	300	32-1/2	826	34	864	22-5/8	575	22-5/8	575	2	50	798	362	938	425

Larger sizes available upon request.

Certified dimensional drawings are available upon request.

\*This table reflects only the nearest metric equivalents.

**TOTAL SCREEN AREA**

Size	(in <sup>2</sup> )	Size	(in <sup>2</sup> )	Size	(in <sup>2</sup> )	Size	(in <sup>2</sup> )
1/2"	--	1-1/2"	18.66	4"	88.15	10"	564.46
3/4"	--	2"	26.90	5"	159.01	12"	665.70
1"	--	2-1/2"	46.88	6"	235.95	<i>(Total screen area listed for 150 lb. class only)</i>	
1-1/4"	--	3"	59.16	8"	360.05		

\*See DETERMINING RATIOS on page S5 of the Strainer Information Section for calculating NET FREE AREA of the screen to inside pipe area.

# Style SB-7

Y-Strainer

Carbon Steel (ASTMA 216, Grade WCB)

600 lb. Threaded

600 lb. Socket Weld



## Cast Carbon Steel Y-Strainer

### APPLICATIONS

Steam, water, oil or gas where protection from foreign matter in a pipeline is required.

### CONSTRUCTION

The Keckley Style SB-7 strainers are constructed from rugged carbon steel castings that are machined to exacting specifications.

Socket Weld bore is in compliance with ASME B16.11 unless otherwise specified.

### FEATURES

The Keckley Style SB-7 strainer features a machined groove in the body and cap for proper alignment and to ensure accurate reseating when servicing is required. This strainer has a straight threaded cap and is furnished standard with a NPT blow-off connection. The gasket is 304 stainless steel spiral wound and is compressed between the body and cap (for maximum strength and durability) and designed for both high pressure and high temperature service. Keckley Style SB-7 strainers can be supplied with a carbon steel blow-off plug upon request.

### SCREENS

Standard perforated 304 stainless steel screens are spot welded along the seam for maximum strength. Different size perforations and meshes are available in stainless steel, monel, and brass to meet specific media requirements. If media is not indicated, screens for *steam* will be supplied.

### SELF CLEANING

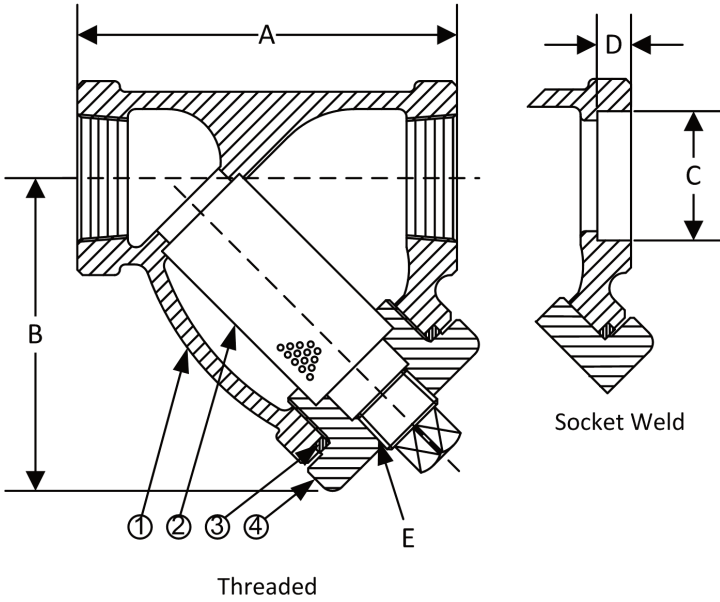
Self cleaning is accomplished by opening the valve or drain plug connected to the blow-off port. **Warning:** See Maintenance Instructions on page S6 of the Strainer Information Section for additional precautions and detailed information on servicing the strainer.

### WORKING PRESSURES - NON SHOCK

NOM. RATING	MEDIA	1/4" to 3"	8 mm to 80 mm
600# (THREADED & SOCKET WELD)	STEAM	600 PSI @ 838°F	4138 KPa @ 448°C
	W.O.G.	1480 PSI @ 100°F	10208 KPa @ 38°C

# Style SB-7

**Y-Strainer, 600 lb. Threaded & Socket Weld Carbon Steel (ASTM A 216, Grade WCB)**



PARTS LIST		
ITEM	DESCRIPTION	MATERIAL
1	Body	Carbon Steel (ASTM A 216, Grade WCB)
2	Screen	Stainless Steel (304)
3	Gasket	Spiral Wound Stainless Steel (304)
4	Cap	Carbon Steel (ASTM A 216, Grade WCB)

Optional: Blow-off Plug, Carbon Steel (ASTM A 105).  
\*Optional Body Materials Available in LCB, WC6, and WC9.

**STANDARD SCREENS SUPPLIED**

SIZE		SCREEN GAGE	SCREEN PERFORATION					
in	mm		FOR STEAM		FOR LIQUID			
			in	mm	OPEN AREA	in	mm	OPEN AREA
1/4 to 3	8 to 80	21	3/64	1.2	33%	1/16	1.6	30%

Standard screens supplied are for **steam service**, unless otherwise specified.  
Options: Other perforations, meshes, and screen materials are available.

SIZE		DIMENSIONS										WEIGHTS	
		A		B		C		D		E			
in	mm	in	mm	in	mm	in	mm	in	mm	in	mm	lbs	kgs
1/4	8	2-15/16	75	2-7/16	62	0.555	14	3/8	10	1/4	8	3	1
3/8	10	2-15/16	75	2-7/16	62	0.690	18	3/8	10	1/4	8	3	1
1/2	15	2-15/16	75	2-7/16	62	0.855	22	3/8	10	1/4	8	3	1
3/4	20	3-11/16	94	3	76	1.065	27	1/2	13	3/8	10	5	2
1	22	4-9/16	116	4-5/16	110	1.330	34	1/2	13	3/8	10	6	3
1-1/4	32	4-15/16	125	4-3/16	106	1.675	43	1/2	13	3/4	20	8	4
1-1/2	40	5-9/16	141	4-11/16	119	1.915	49	1/2	13	3/4	20	10	5
2	50	6-15/16	176	6-1/4	159	2.406	61	5/8	16	1	25	16	7
2-1/2	65	12	305	9-3/8	238	2.906	74	5/8	16	1-1/4	32	43	20
3	80	12	305	9-3/8	238	3.535	90	5/8	16	1-1/4	32	43	20

Certified dimensional drawings are available upon request.

†This table reflects only the nearest metric equivalents.

**FLOW COEFFICIENTS**

Size	C <sub>v</sub>	Size	C <sub>v</sub>	Size	C <sub>v</sub>
1/4"	9.5	1"	30	2-1/2"	129.7
3/8"	9.5	1-1/4"	44.9	3"	161.3
1/2"	9.5	1-1/2"	61		
3/4"	18.7	2"	98		

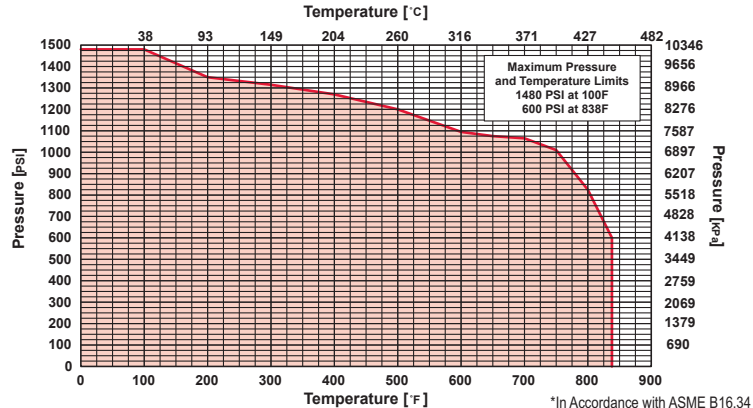
**TOTAL SCREEN AREA**

Size	(in <sup>2</sup> )	Size	(in <sup>2</sup> )	Size	(in <sup>2</sup> )
1/4"	2.75	1"	10.08	2-1/2"	78.14
3/8"	2.75	1-1/4"	12.79	3"	78.14
1/2"	2.75	1-1/2"	16.33		
3/4"	4.71	2"	27.04		

\*See DETERMINING RATIOS on page S5 of the Strainer Information Section for calculating NET FREE AREA of the screen to inside pipe area.

**PRESSURE vs. TEMPERATURE CHART**

600# Threaded & Socket Weld Carbon Steel (ASTM A 216, Grade WCB)



# Style SB-7BC

Y-Strainer

Carbon Steel (ASTMA 216, Grade WCB)

600 lb. Threaded Bolted Cover

600 lb. Socket Weld Bolted Cover



## Cast Carbon Steel Y-Strainer

### APPLICATIONS

Steam, water, oil or gas where protection from foreign matter in a pipeline is required.

### CONSTRUCTION

The Keckley Style SB-7BC strainers are constructed from rugged carbon steel castings that are machined to exacting specifications.

Socket Weld bore is in compliance with ASME B16.11 unless otherwise specified.

### FEATURES

The Keckley Style SB-7BC strainer features a machined groove in the body and cap for proper alignment and to ensure accurate reseating when servicing is required. This strainer has a bolted cover and is furnished standard with a NPT blow-off connection. The gasket is 304 stainless steel spiral wound and is compressed between the body and cover (for maximum strength and durability) and designed for both high pressure and high temperature service. Keckley Style SB-7BC strainers can be supplied with a carbon steel blow-off plug upon request.

### SCREENS

Standard perforated 304 stainless steel screens are spot welded along the seam for maximum strength. Different size perforations and meshes are available in stainless steel, monel, and brass to meet specific media requirements. If media is not indicated, screens for *steam* will be supplied.

### SELF CLEANING

Self cleaning is accomplished by opening the valve or drain plug connected to the blow-off port. **Warning:** See Maintenance Instructions on page S6 of the Strainer Information Section for additional precautions and detailed information on servicing the strainer.

### WORKING PRESSURES - NON SHOCK

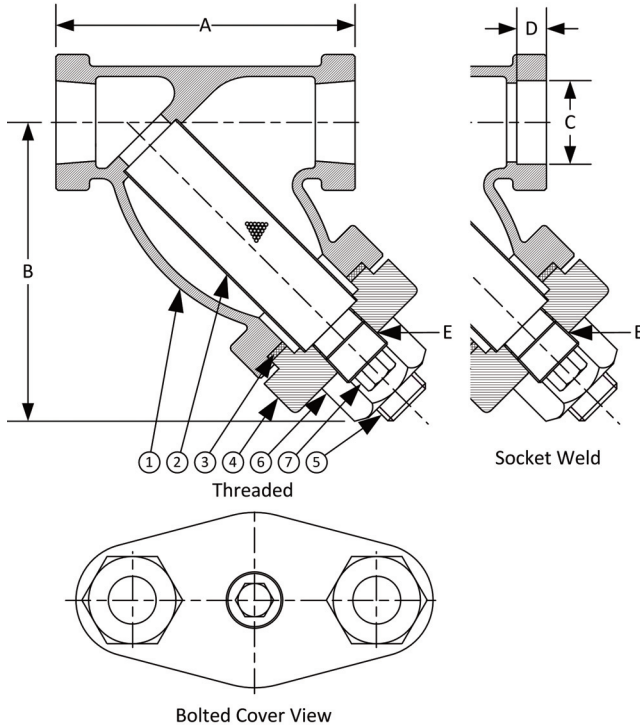
NOM. RATING	MEDIA	1/4" to 3"	8 mm to 80 mm
600# (THREADED & SOCKET WELD)	STEAM	600 PSI @ 838°F	4138 KPa @ 448°C
	W.O.G.	1480 PSI @ 100°F	10208 KPa @ 38°C



# Style SB-7BC

**Y-Strainer, 600 lb. Threaded & Socket Weld Bolted Cover**

**Carbon Steel (ASTM A 216, Grade WCB)**



PARTS LIST		
ITEM	DESCRIPTION	MATERIAL
1	Body	Carbon Steel (ASTM A 216, Grade WCB)
2	Screen	Stainless Steel (304)
3	Gasket	Spiral Wound Stainless Steel (304)
4	Cap	Carbon Steel (ASTM A 216, Grade WCB)
5	Stud	Carbon Steel (ASTM A 193, Grade B7)
6	Nut	Carbon Steel (ASTM A 194, Grade 2H)
7	Plug	Carbon Steel (ASTM A 105)

\*Optional Body Materials Available in LCB, WC6, and WC9.

**STANDARD SCREENS SUPPLIED**

SIZE		SCREEN GAGE	SCREEN PERFORATION					
in	mm		FOR STEAM		FOR LIQUID			
			in	mm	OPEN AREA	in	mm	OPEN AREA
1/4 to 3	8 to 80	21	3/64	1.2	33%	1/16	1.6	30%

Standard screens supplied are for **steam service**, unless otherwise specified. Options: Other perforations, meshes, and screen materials are available.

SIZE		DIMENSIONS										WEIGHTS	
		A		B		C		D		E			
in	mm	in	mm	in	mm	in	mm	in	mm	in	mm	lbs	kgs
1/4	8	3	76	2-1/2	63	0.555	14	3/8	10	1/4	8	3	1.3
3/8	10	3	76	2-1/2	63	0.690	18	3/8	10	1/4	8	3	1.3
1/2	15	3-7/8	99	3-1/4	83	0.855	22	3/8	10	1/4	8	4	1.8
3/4	20	4-1/4	108	4-1/4	108	1.065	27	1/2	13	3/8	10	5	2.3
1	22	4-15/16	125	4-5/8	117	1.330	34	1/2	13	1/2	15	7	3
1-1/4	32	5-5/8	143	5-1/2	140	1.675	43	1/2	13	3/4	20	11	5
1-1/2	40	6-1/4	159	6-1/4	159	1.915	49	1/2	13	3/4	20	16	7.25
2	50	7-1/2	191	7-1/4	184	2.406	61	5/8	16	1	25	22	10
2-1/2	65	12	305	9-3/8	238	2.906	74	5/8	16	1-1/4	32	43	19.5
3	80	12	305	9-3/8	238	3.535	90	5/8	16	1-1/4	32	43	19.5

Certified dimensional drawings are available upon request.

†This table reflects only the nearest metric equivalents.

**FLOW COEFFICIENTS**

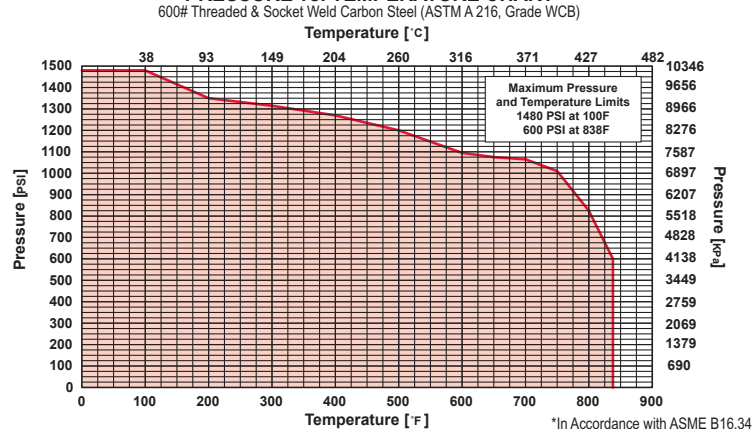
Size	C <sub>v</sub>	Size	C <sub>v</sub>	Size	C <sub>v</sub>
1/4"	9.5	1"	30	2-1/2"	129.7
3/8"	9.5	1-1/4"	44.9	3"	161.3
1/2"	9.5	1-1/2"	61		
3/4"	18.7	2"	98		

**TOTAL SCREEN AREA**

Size	(in <sup>2</sup> )	Size	(in <sup>2</sup> )	Size	(in <sup>2</sup> )
1/4"	4.36	1"	13.84	2-1/2"	69.82
3/8"	4.36	1-1/4"	20.83	3"	69.82
1/2"	4.36	1-1/2"	24.02		
3/4"	9.37	2"	35.48		

\*See DETERMINING RATIOS on page S5 of the Strainer Information Section for calculating NET FREE AREA of the screen to inside pipe area.

**PRESSURE vs. TEMPERATURE CHART**



# Style SB

## Y-Strainer

Carbon Steel (ASTMA 216, Grade WCB)

1500 lb. Threaded

1500 lb. Socket Weld



# Cast Carbon Steel Y-Strainer

## APPLICATIONS

Steam, water, oil or gas where protection from foreign matter in a pipeline is required.

## CONSTRUCTION

The Keckley Style SB strainers are constructed from rugged carbon steel castings that are machined to exacting specifications.

Socket Weld bore is in compliance with ASME B16.11 unless otherwise specified.

## FEATURES

The Keckley Style SB strainer features a machined groove in the body and cap for proper alignment and to ensure accurate reseating when servicing is required. The gasket is 304 stainless steel spiral wound and is compressed between the body and cover (for maximum strength and durability) and designed for both high pressure and high temperature service. The cover is not supplied with a blow-off hole.

## SCREENS

Standard perforated 304 stainless steel screens are spot welded along the seam for maximum strength. Different size perforations and meshes are available in stainless steel, monel, and brass to meet specific media requirements. If media is not indicated, screens for *steam* will be supplied.

## SELF CLEANING

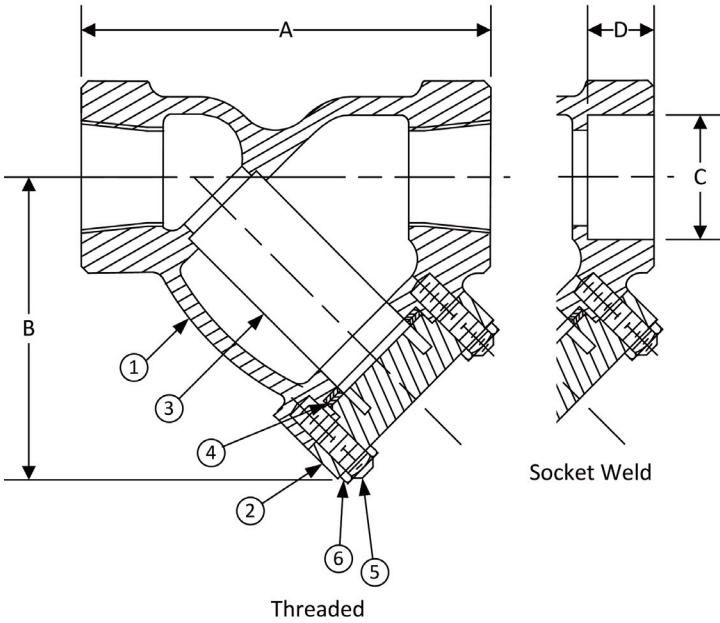
**Warning:** See Maintenance Instructions on page **S6** of the Strainer Information Section for additional precautions and detailed information on servicing the strainer.

## WORKING PRESSURES - NON SHOCK

NOM. RATING	MEDIA	1/2" to 3"	15 mm to 80 mm
1500# (THREADED & SOCKET WELD)	STEAM	1500 PSI @ 838°F	10346 KPa @ 448°C
	W.O.G.	3705 PSI @ 100°F	25553 KPa @ 38°C

# Style SB

**Y-Strainer, 1500 lb. Threaded & Socket Weld Carbon Steel (ASTM A 216, Grade WCB)**



PARTS LIST		
ITEM	DESCRIPTION	MATERIAL
1*	Body	Carbon Steel (ASTM A 216, Grade WCB)
2	Cover	Carbon Steel (ASTM A 216, Grade WCB)
3	Screen	Stainless Steel (304)
4	Gasket	Spiral Wound Stainless Steel (304)
5	Studs	Carbon Steel (ASTM A 193, Grade B16)
6	Nuts	Carbon Steel (ASTM A 194, Grade 4)

\*Optional Body Materials Available in LCB, WC6, and WC9.

**STANDARD SCREENS SUPPLIED**

SIZE		SCREEN GAGE	SCREEN PERFORMANCE				
in	mm		FOR STEAM	OPEN AREA	FOR LIQUID	OPEN AREA	
		26	in	mm	in	mm	
1/2 to 3	15 to 80	26	1/32	0.8	28%	1/16	1.6
							30%

Standard screens supplied are for **steam service**, unless otherwise specified. Options: Other perforations, meshes, and screen materials are available.

SIZE		DIMENSIONS								WEIGHTS	
		A		B		C		D			
in	mm	in	mm	in	mm	in	mm	in	mm	lbs	kgs
1/2	15	3-15/16	100	3	76	0.855	22	3/8	10	10	5
3/4	20	4-1/4	108	3-3/4	95	1.065	27	1/2	13	12	5
1	25	5	127	5	127	1.330	34	1/2	13	15	7
1-1/4	32	8-3/8	213	5-1/2	140	1.675	43	1/2	13	22	10
1-1/2	40	8-3/8	213	5-1/2	140	1.915	49	1/2	13	22	10
2	50	9-5/16	237	7-3/8	187	2.406	61	5/8	16	30	14
2-1/2	65	12	305	10-1/2	267	2.906	74	5/8	16	50	23
3	80	12	305	10-1/2	267	3.535	90	5/8	16	50	23

Certified dimensional drawings are available upon request.

†This table reflects only the nearest metric equivalents.

**FLOW COEFFICIENTS**

Size	C <sub>v</sub>	Size	C <sub>v</sub>	Size	C <sub>v</sub>
1/2"	9	1-1/4"	45	2-1/2"	129
3/4"	18	1-1/2"	60	3"	170
1"	30	2"	98		

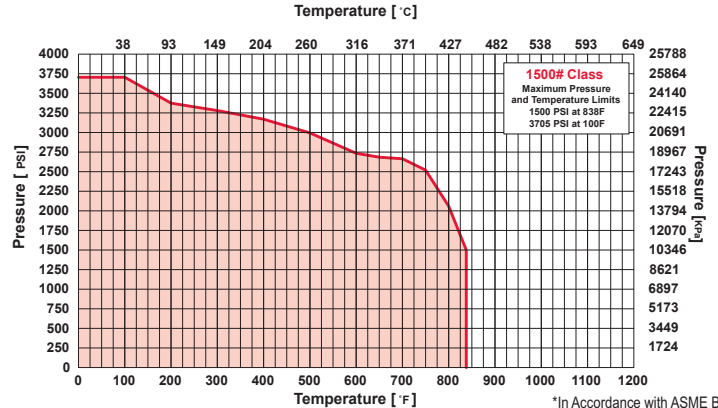
**TOTAL SCREEN AREA**

Size	(in <sup>2</sup> )	Size	(in <sup>2</sup> )	Size	(in <sup>2</sup> )
1/2"	5.97	1-1/4"	27.94	2-1/2"	77.80
3/4"	9.73	1-1/2"	27.94	3"	79.48
1"	17.55	2"	38.08		

\*See DETERMINING RATIOS on page S5 of the Strainer Information Section for calculating NET FREE AREA of the screen to inside pipe area.

**PRESSURE vs. TEMPERATURE CHART**

1500# Threaded & Socket Weld Carbon Steel (ASTM A 216, Grade WCB)



\*In Accordance with ASME B16.11

# Style SA-7

Y-Strainer

Carbon Steel (ASTMA 216, Grade WCB)

150 lb. & 300 lb. Flanged



## Cast Carbon Steel Y-Strainer

### APPLICATIONS

Steam, water, oil or gas where protection from foreign matter in a pipeline is required.

### CONSTRUCTION

The Keckley Style SA-7 strainers are constructed from rugged carbon steel castings and are machined to exacting specifications. These bodies have drilled flanges that are in accordance with ASME B16.5. All flanges come standard with back-faced bolt holes.

### FEATURES

The Keckley Style SA-7 strainer features a machined groove in both the body and cover for proper screen alignment and to ensure accurate reseating when servicing is required. The gasket is 304 stainless steel spiral wound and is compressed between the body and cover (for maximum strength and durability) and designed for high pressure and high temperature service. All Keckley Style SA-7 strainers have cap screws and can be furnished with a steel blow-off plug upon request.

Blind covers are available upon request.

### SCREENS

Standard perforated 304 stainless steel screens are spot welded along the seam for maximum strength. Different size perforations and meshes are available in stainless steel, monel, and brass to meet specific media requirements. If media is not indicated, screens for *steam* will be supplied.

### SELF CLEANING

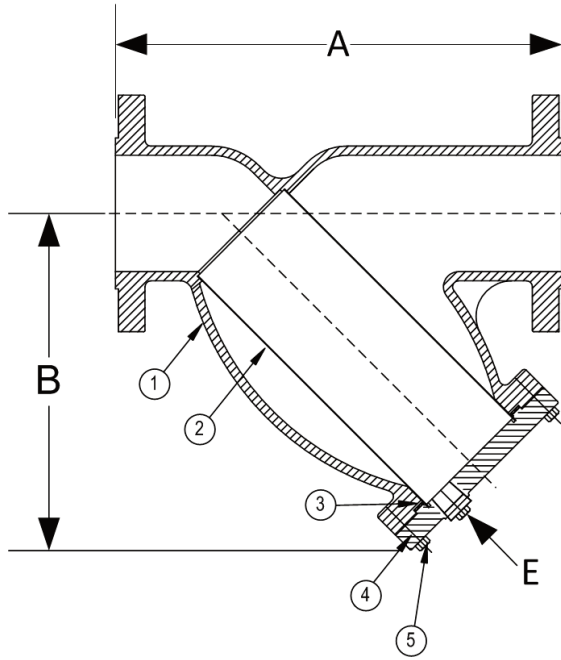
Self cleaning is accomplished by opening the valve or drain plug connected to the blow-off port. **Warning:** See Maintenance Instructions on page S6 of the Strainer Information Section for additional precautions and detailed information on servicing the strainer.

### WORKING PRESSURES - NON SHOCK

NOM. RATING	MEDIA	1/2" to 14"	15 mm to 350 mm
150# R.F. & D. (STANDARD FLANGE)	STEAM	150 PSI @ 565°F	1035 KPa @ 296°C
	W.O.G.	285 PSI @ 100°F	1966 KPa @ 38°C
NOM. RATING	MEDIA	1/2" to 14"	15 mm to 350 mm
300# R.F. & D. (EX. HEAVY FLANGE)	STEAM	300 PSI @ 838°F	2069 KPa @ 448°C
	W.O.G.	740 PSI @ 100°F	5104 KPa @ 38°C

# Style SA-7

**Y-Strainer, 150 lb. & 300 lb. Flanged**  
**Carbon Steel (ASTM A 216, Grade WCB)**



**PARTS LIST**

ITEM	DESCRIPTION	MATERIAL
1*	Body	Carbon Steel (ASTM A 216, Grade WCB)
2	Screen	Stainless Steel (304)
3	Gasket	Spiral Wound Stainless Steel (304)
4	Cover	Carbon Steel (ASTM A 216, Grade WCB)
5	Hex Head Cap Screw	Carbon Steel (ASTM A 193, Grade B7)

Optional: Blow-off Plug, Carbon Steel.  
\*Optional Body Materials Available in LCB, WC6, and WC9.

**STANDARD SCREENS SUPPLIED**

SIZE		SCREEN GAGE	SCREEN PERFORMANCE					
in	mm		FOR STEAM	OPEN AREA	FOR LIQUID	OPEN AREA		
1/2 to 4	15 to 100	28	3/64	1.2	33%	1/16	1.6	30%
5 to 10	125 to 250	22	3/64	1.2	33%	1/8	3.2	43%
12 & 14	300 & 350	22	1/16	1.6	30%	1/8	3.2	43%

Standard screens supplied are for **steam service**, unless otherwise specified.  
Options: Other perforations, meshes, and screen materials are available.

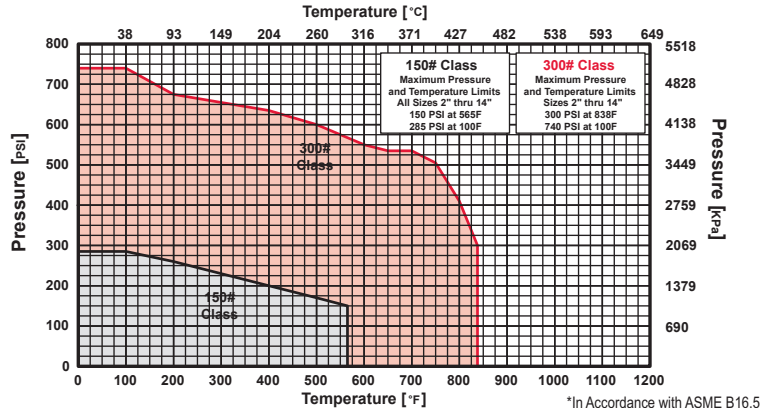
SIZE		DIMENSIONS										WEIGHTS			
		A				B				E		150#		300#	
		150#	300#	150#	300#	150# & 300#	150#	300#	lbs	kgs	lbs	kgs			
in	mm	in	mm	in	mm	in	mm	in	mm	in	mm	lbs	kgs	lbs	kgs
1/2	15	6-1/2	165	6-1/8	156	3-3/4	95	3-3/4	95	3/8	10	7	3	6	3
3/4	20	7-3/8	187	7-3/4	197	4-1/4	108	4-1/4	108	1/2	15	11	5	13	6
1	25	7-3/8	187	7-7/8	200	4-1/4	108	4-1/4	108	1/2	15	11	5	13	6
1-1/4	32	7	178	8-1/8	206	5-1/8	130	5-1/8	130	1/2	15	12	5	19	9
1-1/2	40	7-1/8	181	8-1/4	210	5-1/8	130	5-1/8	130	1/2	15	14	6	19	9
2	50	7-7/8	200	9-1/2	241	6	152	6	152	1/2	15	22	10	33	15
2-1/2	65	9-3/4	248	10-3/8	264	7	178	7	178	1	25	32	15	44	20
3	80	10-1/16	256	12	305	7-7/16	189	7-5/16	186	1	25	41	19	58	26
4	100	12-1/8	308	14-1/2	368	8-15/16	227	8-15/16	227	1-1/2	40	63	29	90	41
5	125	15-1/2	394	19-5/16	491	13-1/32	331	13-1/32	331	2	50	111	50	180	82
6	150	18-1/2	470	19-5/16	491	13-1/4	337	13-1/4	337	2	50	136	62	180	82
8	200	21-3/8	543	23-3/8	594	15-1/2	394	15-1/2	394	2	50	212	96	304	138
10	250	26	660	27-3/8	695	18-7/16	468	18-7/16	468	2	50	280	127	470	213
12	300	29-7/8	759	32	813	21-5/8	549	21-5/8	549	2	50	460	209	709	322
14	350	34-1/2	876	36	914	25	635	25	635	2	50	980	445	1300	590

Certified dimensional drawings are available upon request.

†This table reflects only the nearest metric equivalents.

**PRESSURE vs. TEMPERATURE CHART**

150# & 300# Flanged Carbon Steel (ASTM A 216, Grade WCB)



**TOTAL SCREEN AREA**

Size	(in <sup>2</sup> )	Size	(in <sup>2</sup> )	Size	(in <sup>2</sup> )	Size	(in <sup>2</sup> )
1/2"	6.46	1-1/2"	18.68	4"	91.89	10"	532.80
3/4"	12.32	2"	30.28	5"	209.41	12"	600.71
1"	12.32	2-1/2"	46.91	6"	241.18	(Total screen area listed for 150 lb. class only)	
1-1/4"	18.68	3"	57.62	8"	342.86		

\*See DETERMINING RATIOS on page S5 of the Strainer Information Section for calculating NET FREE AREA of the screen to inside pipe area.



# Style SA

Y-Strainer

Carbon Steel (ASTMA 216, Grade WCB)

600 lb. Flanged



## Cast Carbon Steel Y-Strainer

### APPLICATIONS

Steam, water, oil or gas where protection from foreign matter in a pipeline is required.

### CONSTRUCTION

The Keckley Style SA strainers are constructed from rugged carbon steel castings and are machined to exacting specifications. These bodies have drilled flanges that are in accordance with ASME B16.5. All flanges come standard with back-faced bolt holes.

### FEATURES

The Keckley Style SA strainer features a machined groove in both the body and cover for proper screen alignment and to ensure accurate reseating when servicing is required. The gasket is 304 stainless steel spiral wound and is compressed between the body and cover (for maximum strength and durability) and designed for high pressure and high temperature service. All Keckley Style SA strainers have cap screws and can be furnished with a steel blow-off plug upon request.

Blind covers are available upon request.

### SCREENS

Standard perforated 304 stainless steel screens are spot welded along the seam for maximum strength. Different size perforations and meshes are available in stainless steel, monel, and brass to meet specific media requirements. If media is not indicated, screens for *steam* will be supplied.

### SELF CLEANING

Self cleaning is accomplished by opening the valve or drain plug connected to the blow-off port. **Warning:** See Maintenance Instructions on page S6 of the Strainer Information Section for additional precautions and detailed information on servicing the strainer.

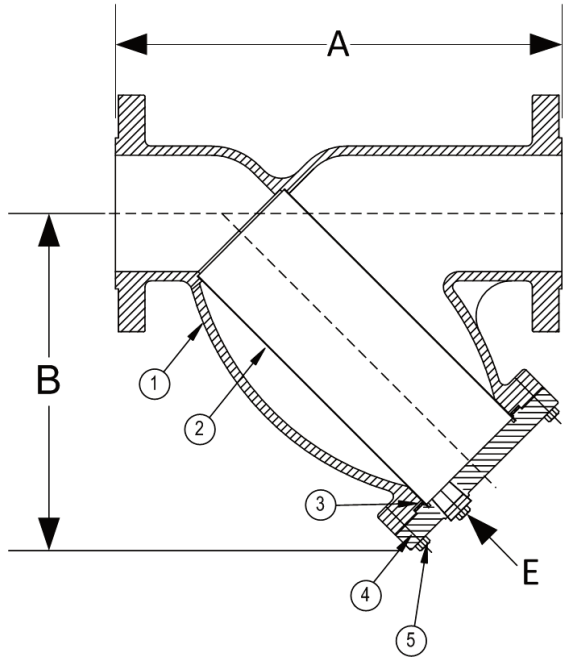
### WORKING PRESSURES - NON SHOCK

NOM. RATING	MEDIA	1/2" to 12"	15 mm to 300 mm
600# R.F. & D. (FLANGE)	STEAM	600 PSI @ 838°F	4138 KPa @ 448°C
	W.O.G.	1480 PSI @ 100°F	10208 KPa @ 38°C



# Style SA

**Y-Strainer, 600 lb. Flanged**  
**Carbon Steel (ASTM A 216, Grade WCB)**



PARTS LIST		
ITEM	DESCRIPTION	MATERIAL
1	Body	Carbon Steel (ASTM A 216, Grade WCB)
2	Screen	Stainless Steel (304)
3	Gasket	Spiral Wound Stainless Steel (304)
4	Cover	Carbon Steel (ASTM A 216, Grade WCB)
5	Hex Head Cap Screw	Carbon Steel (ASTM A 193, Grade B7)

Optional: Blow-off Plug, Carbon Steel (ASTM A 105).  
\*Optional Body Materials Available in LCB, WC6, and WC9.

SIZE		SCREEN GAGE	SCREEN PERFORMANCE					
in	mm		FOR STEAM		FOR LIQUID		OPEN AREA	
			in	mm	AREA	in	mm	AREA
2 to 4	50 to 100	28	3/64	1.2	33%	1/16	1.6	30%
5 to 10	125 to 250	22	3/64	1.2	33%	1/8	3.2	43%
12	300	22	1/16	1.6	30%	1/8	3.2	43%

Standard screens supplied are for **steam service**, unless otherwise specified.  
Options: Other perforations, meshes, and screen materials are available.

SIZE		DIMENSIONS						WEIGHTS	
in	mm	A		B		E		lbs	kgs
		in	mm	in	mm	in	mm		
1/2	15	6-5/8	168	3-1/2	89	3/8	10	6	3
3/4	20	8-3/8	213	3-3/4	95	1/2	15	13	6
1	25	8-3/8	213	3-3/4	95	1/2	15	13	6
1-1/4	32	10-1/8	257	5-1/2	140	1/2	15	19	9
1-1/2	40	10-1/4	360	5-1/2	140	1/2	15	27	12
2	50	11	279	7	178	1/2	15	40	18
2-1/2	65	12	305	8-1/4	210	1	25	60	27
3	80	13-1/2	343	9-1/4	235	1	25	78	35
4	100	18	457	12-1/2	318	1-1/2	40	160	73
6	150	25-5/8	651	20	508	2	50	364	165
8	200	31-3/4	806	24	610	2	50	670	304
10	250	37-3/4	959	28-1/2	724	2	50	1090	494
12	300	45-1/2	1156	34-1/2	876	2	50	1558	707

Larger sizes available upon request.

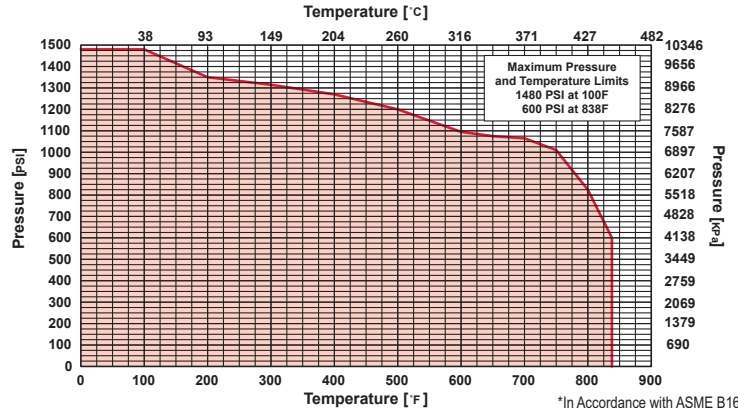
†This table reflects only the nearest metric equivalents.

TOTAL SCREEN AREA							
Size	(in <sup>2</sup> )	Size	(in <sup>2</sup> )	Size	(in <sup>2</sup> )	Size	(in <sup>2</sup> )
1/2"	--	1-1/2"	--	4"	151.49	12"	1313.88
3/4"	--	2"	44.17	6"	416.73		
1"	--	2-1/2"	64.14	8"	630.23		
1-1/4"	--	3"	77.63	10"	894.52		

\*See DETERMINING RATIOS on page S5 of the Strainer Information Section for calculating NET FREE AREA of the screen to inside pipe area.

### PRESSURE vs. TEMPERATURE CHART

600# Flanged Carbon Steel (ASTM A 216, Grade WCB)



\*In Accordance with ASME B16.5

# Style SA-7

Y-Strainer

Carbon Steel (ASTMA 216, Grade WCB)

150 lb. & 300 lb. Butt Weld



## Cast Carbon Steel Y-Strainer

### APPLICATIONS

Steam, water, oil or gas where protection from foreign matter in a pipeline is required.

### CONSTRUCTION

The Keckley Style SA-7 strainers are constructed from rugged carbon steel castings and are machined to exacting specifications.

Style SA-7 butt weld connections will be machined to match schedule 40 pipe.

### FEATURES

The Keckley Style SA-7 strainer features a machined groove in both the body and cover for proper screen alignment and to ensure accurate reseating when servicing is required. The gasket is 304 stainless steel spiral wound and is compressed between the body and cover (for maximum strength and durability) and designed for high pressure and high temperature service. All Keckley Style SA-7 strainers have cap screws and can be furnished with a steel blow-off plug upon request.

Blind covers are available upon request.

### SCREENS

Standard perforated 304 stainless steel screens are spot welded along the seam for maximum strength. Different size perforations and meshes are available in stainless steel, monel, and brass to meet specific media requirements. If media is not indicated, screens for *steam* will be supplied.

### SELF CLEANING

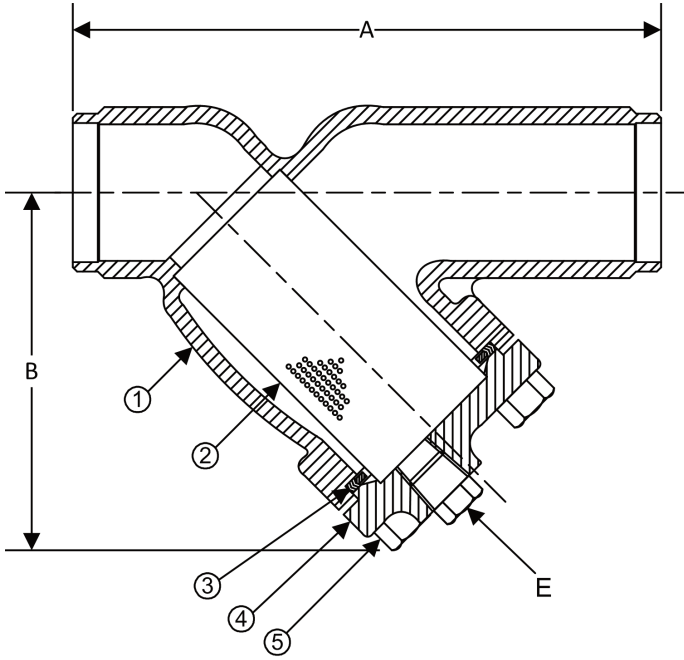
Self cleaning is accomplished by opening the valve or drain plug connected to the blow-off port. **Warning:** See Maintenance Instructions on page S6 of the Strainer Information Section for additional precautions and detailed information on servicing the strainer.

### WORKING PRESSURES - NON SHOCK

NOM. RATING	MEDIA	1/2" to 12"	15 mm to 300 mm
150# (BUTT WELD)	STEAM	150 PSI @ 565°F	1035 KPa @ 296°C
	W.O.G.	285 PSI @ 100°F	1966 KPa @ 38°C
NOM. RATING	MEDIA	1/2" to 12"	15 mm to 300 mm
300# (BUTT WELD)	STEAM	300 PSI @ 838°F	2069 KPa @ 448°C
	W.O.G.	740 PSI @ 100°F	5104 KPa @ 38°C

## Style SA-7

Y-Strainer, 150 lb. & 300 lb. Butt Weld  
Carbon Steel (ASTM A 216, Grade WCB)



**PARTS LIST**

ITEM	DESCRIPTION	MATERIAL
1*	Body	Carbon Steel (ASTM A 216, Grade WCB)
2	Screen	Stainless Steel (304)
3	Gasket	Spiral Wound Stainless Steel (304)
4	Cover	Carbon Steel (ASTM A 216, Grade WCB)
5	Hex Head Cap Screw	Carbon Steel (ASTM A 193, Grade B7)

Optional: Blow-off Plug, Carbon Steel.

\*Optional Body Materials Available in LCB, WC6, and WC9.

**STANDARD SCREENS SUPPLIED**

SIZE		SCREEN GAGE	SCREEN PERFORMANCE					
in	mm		FOR STEAM	OPEN AREA	FOR LIQUID	OPEN AREA		
1/2 to 4	15 to 100	28	3/64	1.2	33%	1/16	1.6	30%
5 to 10	125 to 250	22	3/64	1.2	33%	1/8	3.2	43%
12 & 14	300 & 350	22	1/16	1.6	30%	1/8	3.2	43%

Standard screens supplied are for **steam service**, unless otherwise specified.

Options: Other perforations, meshes, and screen materials are available.

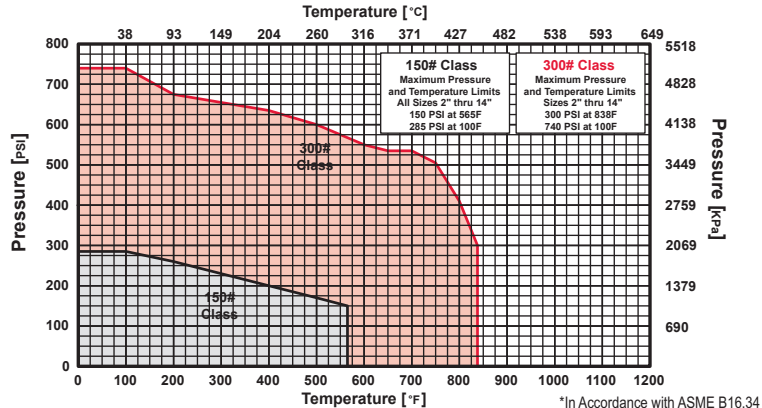
SIZE		DIMENSIONS										WEIGHTS			
		A				B				E		150#		300#	
		150#		300#		150#		300#		150# & 300#		lbs	kgs	lbs	kgs
in	mm	in	mm	in	mm	in	mm	in	mm	in	mm	lbs	kgs	lbs	kgs
1/2	15	6-1/2	165	6-1/8	156	3-3/4	95	3-3/4	95	3/8	10	7	3	6	3
3/4	20	7-3/8	187	7-3/4	197	4-1/4	108	4-1/4	108	1/2	15	11	5	13	6
1	25	7-3/8	187	7-7/8	200	4-1/4	108	4-1/4	108	1/2	15	11	5	13	6
1-1/4	32	7	178	8-1/8	206	5-1/8	130	5-1/8	130	1/2	15	12	5	19	9
1-1/2	40	7-1/8	181	8-1/4	210	5-1/8	130	5-1/8	130	1/2	15	14	6	19	9
2	50	7-7/8	200	9-1/2	241	6	152	6	152	1/2	15	22	10	33	15
2-1/2	65	9-3/4	248	10-3/8	264	7	178	7	178	1	25	32	15	44	20
3	80	10-1/16	256	12	305	7-7/16	189	7-5/16	186	1	25	41	19	58	26
4	100	12-1/8	308	14-1/2	368	8-15/16	227	8-15/16	227	1-1/2	40	63	29	90	41
5	125	15-1/2	394	19-5/16	491	13-1/32	331	13-1/32	331	2	50	111	50	180	82
6	150	18-1/2	470	19-5/16	491	13-1/4	337	13-1/4	337	2	50	136	62	180	82
8	200	21-3/8	543	23-3/8	594	15-1/2	394	15-1/2	394	2	50	212	96	304	138
10	250	26	660	27-3/8	695	18-7/16	468	18-7/16	468	2	50	280	127	470	213
12	300	29-7/8	759	32	813	21-5/8	549	21-5/8	549	2	50	460	209	709	322
14	350	34-1/2	876	36	914	25	635	25	635	2	50	980	445	1300	590

Certified dimensional drawings are available upon request.

†This table reflects only the nearest metric equivalents.

**PRESSURE vs. TEMPERATURE CHART**

150# & 300# Flanged Carbon Steel (ASTM A 216, Grade WCB)



**TOTAL SCREEN AREA**

Size	(in <sup>2</sup> )	Size	(in <sup>2</sup> )	Size	(in <sup>2</sup> )	Size	(in <sup>2</sup> )
1/2"	6.46	1-1/2"	18.68	4"	91.89	10"	532.80
3/4"	12.32	2"	30.28	5"	209.41	12"	600.71
1"	12.32	2-1/2"	46.91	6"	241.18	(Total screen area listed for 150 lb. class only)	
1-1/4"	18.68	3"	57.62	8"	342.86		

\*See DETERMINING RATIOS on page S5 of the Strainer Information Section for calculating NET FREE AREA of the screen to inside pipe area.

# Style SA

Y-Strainer

Carbon Steel (ASTMA 216, Grade WCB)

600 lb. Butt Weld



## Cast Carbon Steel Y-Strainer

### APPLICATIONS

Steam, water, oil or gas where protection from foreign matter in a pipeline is required.

### CONSTRUCTION

The Keckley Style SA strainers are constructed from rugged carbon steel castings and are machined to exacting specifications.

Style SA 600 lb. butt weld connections will be machined to match schedule 80 pipe unless otherwise specified.

### FEATURES

The Keckley Style SA strainer features a machined groove in both the body and cover for proper screen alignment and to ensure accurate reseating when servicing is required. The gasket is 304 stainless steel spiral wound and is compressed between the body and cover (for maximum strength and durability) and designed for high pressure and high temperature service. All Keckley Style SA strainers have cap screws and can be furnished with a steel blow-off plug upon request.

Blind covers are available upon request.

### SCREENS

Standard perforated 304 stainless steel screens are spot welded along the seam for maximum strength. Different size perforations and meshes are available in stainless steel, monel, and brass to meet specific media requirements. If media is not indicated, screens for *steam* will be supplied.

### SELF CLEANING

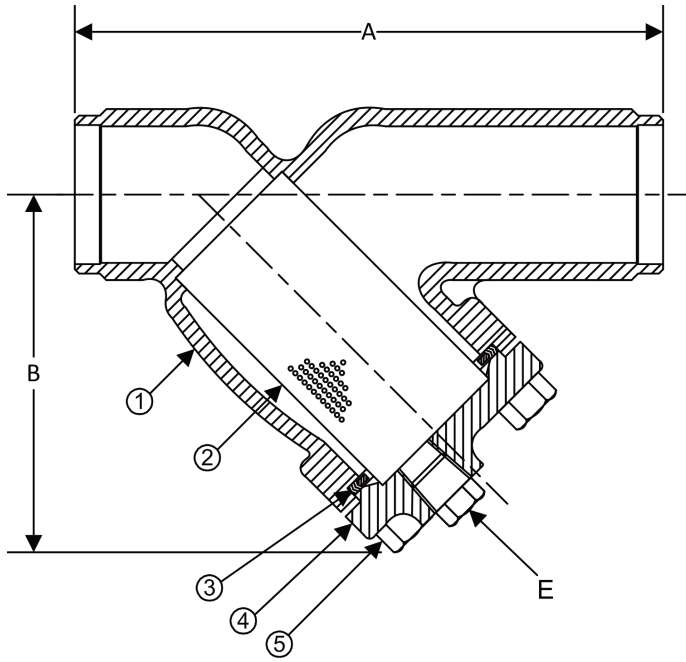
Self cleaning is accomplished by opening the valve or drain plug connected to the blow-off port. **Warning:** See Maintenance Instructions on page S6 of the Strainer Information Section for additional precautions and detailed information on servicing the strainer.

### WORKING PRESSURES - NON SHOCK

NOM. RATING	MEDIA	1/2" to 12"	15 mm to 300 mm
600# (BUTT WELD)	STEAM	600 PSI @ 838°F	4138 KPa @ 448°C
	W.O.G.	1480 PSI @ 100°F	10208 KPa @ 38°C

# Style SA

**Y-Strainer, 600 lb. Butt Weld**  
**Carbon Steel (ASTM A 216, Grade WCB)**



**PARTS LIST**

ITEM	DESCRIPTION	MATERIAL
1	Body	Carbon Steel (ASTM A 216, Grade WCB)
2	Screen	Stainless Steel (304)
3	Gasket	Spiral Wound Stainless Steel (304)
4	Cover	Carbon Steel (ASTM A 216, Grade WCB)
5	Hex Head Cap Screw	Carbon Steel (ASTM A 193, Grade B7)

Optional: Blow-off Plug, Carbon Steel (ASTM A 105).  
\*Optional Body Materials Available in LCB, WC6, and WC9.

**STANDARD SCREENS SUPPLIED**

SIZE		SCREEN GAGE	SCREEN PERFORATION					
in	mm		FOR STEAM		OPEN AREA	FOR LIQUID		OPEN AREA
			in	mm		in	mm	
2 to 4	50 to 100	28	3/64	1.2	33%	1/16	1.6	30%
5 to 10	125 to 250	22	3/64	1.2	33%	1/8	3.2	43%
12	300	22	1/16	1.6	30%	1/8	3.2	43%

Standard screens supplied are for **steam service**, unless otherwise specified.  
Options: Other perforations, meshes, and screen materials are available.

SIZE		DIMENSIONS						WEIGHTS	
		A		B		E			
in	mm	in	mm	in	mm	in	mm	lbs	kgs
1/2	15	6-5/8	168	3-1/2	89	3/8	10	6	3
3/4	20	8-3/8	213	3-3/4	95	1/2	15	13	6
1	25	8-3/8	213	3-3/4	95	1/2	15	13	6
1-1/4	32	10-1/8	257	5-1/2	140	1/2	15	19	9
1-1/2	40	10-1/4	360	5-1/2	140	1/2	15	27	12
2	50	11	279	7	178	1/2	15	40	18
2-1/2	65	12	305	8-1/4	210	1	25	60	27
3	80	13-1/2	343	9-1/4	235	1	25	78	35
4	100	18	457	12-1/2	318	1-1/2	40	160	73
6	150	25-5/8	651	20	508	2	50	364	165
8	200	31-3/4	806	24	610	2	50	670	304
10	250	37-3/4	959	28-1/2	724	2	50	1090	494
12	300	45-1/2	1156	34-1/2	876	2	50	1558	707

Larger sizes available upon request.

†This table reflects only the nearest metric equivalents.

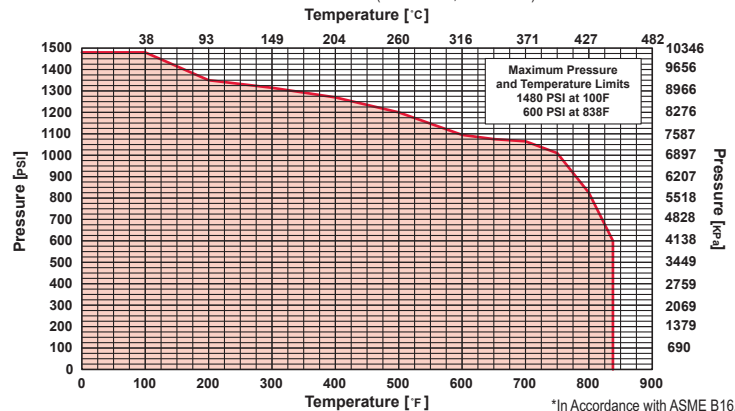
**TOTAL SCREEN AREA**

Size	(in <sup>2</sup> )	Size	(in <sup>2</sup> )	Size	(in <sup>2</sup> )	Size	(in <sup>2</sup> )
1/2"	--	1-1/2"	--	4"	151.49	12"	1313.88
3/4"	--	2"	44.17	6"	416.73		
1"	--	2-1/2"	64.14	8"	630.23		
1-1/4"	--	3"	77.63	10"	894.52		

\*See DETERMINING RATIOS on page S5 of the Strainer Information Section for calculating NET FREE AREA of the screen to inside pipe area.

**PRESSURE vs. TEMPERATURE CHART**

600# Butt Weld Carbon Steel (ASTM A 216, Grade WCB)



\*In Accordance with ASME B16.34

# Style SSB-7

Y-Strainer

Stainless Steel (ASTM A 351, Grade CF8M)

600 lb. Threaded

600 lb. Socket Weld



## Cast 316 Stainless Steel Y-Strainer

### APPLICATIONS

Steam, water, oil or gas where protection from foreign matter in a pipeline is required.

### CONSTRUCTION

The Keckley Style SSB-7 strainers are constructed from rugged 316 stainless steel castings that are machined to exacting specifications.

Socket Weld bore is in compliance with ASME B16.11 unless otherwise specified.

### FEATURES

The Keckley Style SSB-7 strainer features a machined groove in the body and cap for proper alignment and to ensure accurate reseating when servicing is required. This strainer has a straight threaded cap and is furnished standard with a NPT blow-off connection. The gasket is 304 stainless steel spiral wound and is compressed between the body and cap (for maximum strength and durability) and designed for both high pressure and high temperature service. Keckley Style SSB-7 strainers can be supplied with a stainless steel blow-off plug upon request.

### SCREENS

Standard perforated 304 stainless steel screens are spot welded along the seam for maximum strength. Different size perforations and meshes are available in stainless steel, monel, and brass to meet specific media requirements. If media is not indicated, screens for *steam* will be supplied.

### SELF CLEANING

Self cleaning is accomplished by opening the valve or drain plug connected to the blow-off port. **Warning:** See Maintenance Instructions on page S6 of the Strainer Information Section for additional precautions and detailed information on servicing the strainer.

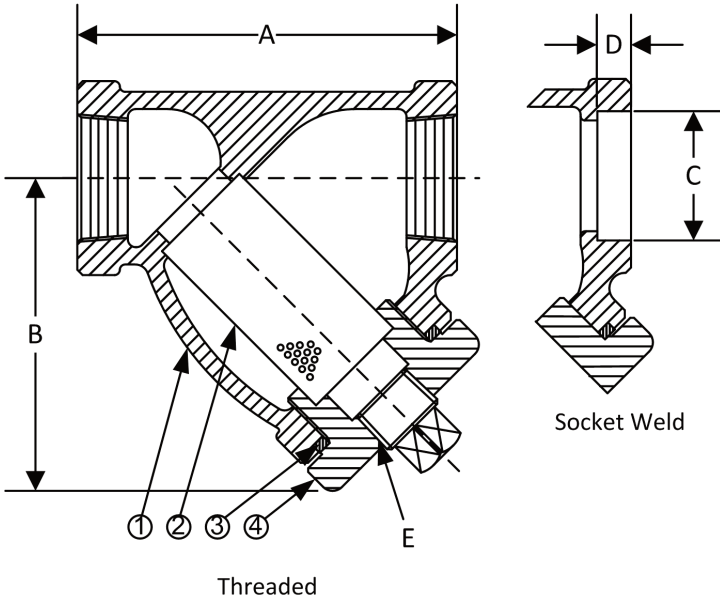
### WORKING PRESSURES - NON SHOCK

NOM. RATING	MEDIA	1/4" to 3"	8 mm to 80 mm
600# (THREADED & SOCKET WELD)	STEAM	600 PSI @ 1125°F	4138 KPa @ 607°C
	W.O.G.	1440 PSI @ 100°F	9932 KPa @ 38°C



## Style SSB-7

**Y-Strainer, 600 lb. Threaded & Socket Weld**  
**Stainless Steel (ASTM A 351, Grade CF8M)**



PARTS LIST		
ITEM	DESCRIPTION	MATERIAL
1	Body	Stainless Steel (ASTM A 351, Grade CF8M)
2	Screen	Stainless Steel (304)
3	Gasket	Spiral Wound Stainless Steel (304)
4	Cap	Stainless Steel (ASTM A 351, Grade CF8M)

Optional: Blow-off Plug, Carbon Steel (ASTM A 105).  
\*Optional Body Materials Available in 304 and 400 Series SS, Alloy 20, Hastelloy, Inconel, Monel and Stellite..

SIZE		SCREEN GAGE	SCREEN PERFORMANCE					
in	mm		FOR STEAM		OPEN AREA	FOR LIQUID		OPEN AREA
			in	mm	33%	in	mm	30%
1/4 to 3	8 to 80	22	3/64	1.2		1/16	1.6	

Standard screens supplied are for **steam service**, unless otherwise specified.  
Options: Other perforations, meshes, and screen materials are available.

SIZE		DIMENSIONS										WEIGHTS	
		A		B		C		D		E			
in	mm	in	mm	in	mm	in	mm	in	mm	in	mm	lbs	kgs
1/4	8	2-15/16	75	2-7/16	62	0.555	14	3/8	10	1/4	8	3	1
3/8	10	2-15/16	75	2-7/16	62	0.690	18	3/8	10	1/4	8	3	1
1/2	15	2-15/16	75	2-7/16	62	0.855	22	3/8	10	1/4	8	3	1
3/4	20	3-11/16	94	3	76	1.065	27	1/2	13	3/8	10	5	2
1	22	4-9/16	116	4-5/16	110	1.330	34	1/2	13	3/8	10	6	3
1-1/4	32	4-15/16	125	4-3/16	106	1.675	43	1/2	13	3/4	20	8	4
1-1/2	40	5-9/16	141	4-11/16	119	1.915	49	1/2	13	3/4	20	10	5
2	50	6-15/16	176	6-1/4	159	2.406	61	5/8	16	1	25	16	7
2-1/2	65	12	305	9-3/8	238	2.906	74	5/8	16	1-1/4	32	43	20
3	80	12	305	9-3/8	238	3.535	90	5/8	16	1-1/4	32	43	20

Certified dimensional drawings are available upon request.

†This table reflects only the nearest metric equivalents.

### FLOW COEFFICIENTS

Size	C <sub>v</sub>	Size	C <sub>v</sub>	Size	C <sub>v</sub>
1/4"	9.5	1"	30	2-1/2"	129.7
3/8"	9.5	1-1/4"	44.9	3"	161.3
1/2"	9.5	1-1/2"	61		
3/4"	18.7	2"	98		

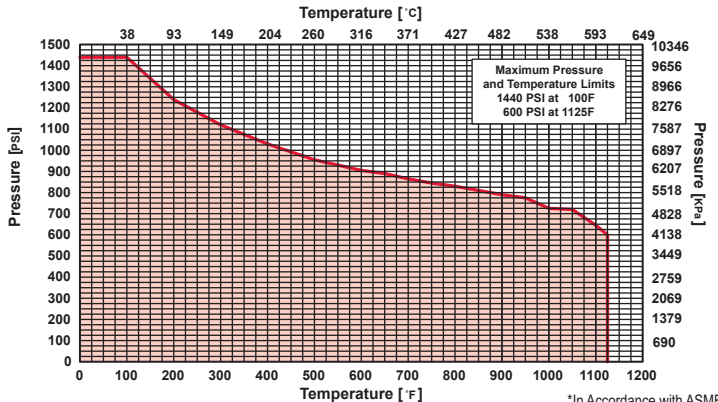
### TOTAL SCREEN AREA

Size	(in <sup>2</sup> )	Size	(in <sup>2</sup> )	Size	(in <sup>2</sup> )
1/4"	2.75	1"	10.08	2-1/2"	78.14
3/8"	2.75	1-1/4"	12.79	3"	78.14
1/2"	2.75	1-1/2"	16.33		
3/4"	4.71	2"	27.04		

\*See DETERMINING RATIOS on page S5 of the Strainer Information Section for calculating NET FREE AREA of the screen to inside pipe area.

### PRESSURE vs. TEMPERATURE CHART

600# Threaded & Socket Weld Stainless Steel (ASTM A 351, Grade CF8M)



# Style SSB-7BC

Y-Strainer

Stainless Steel (ASTM A 351, Grade CF8M)

600 lb. Threaded Bolted Cover

600 lb. Socket Weld Bolted Cover



## Cast 316 Stainless Steel Y-Strainer

### APPLICATIONS

Steam, water, oil or gas where protection from foreign matter in a pipeline is required.

### CONSTRUCTION

The Keckley Style SSB-7BC strainers are constructed from rugged 316 stainless steel castings that are machined to exacting specifications.

Socket Weld bore is in compliance with ASME B16.11 unless otherwise specified.

### FEATURES

The Keckley Style SSB-7BC strainer features a machined groove in the body and cap for proper alignment and to ensure accurate reseating when servicing is required. This strainer has a straight threaded cap and is furnished standard with a NPT blow-off connection. The gasket is 304 stainless steel spiral wound and is compressed between the body and cap (for maximum strength and durability) and designed for both high pressure and high temperature service. Keckley Style SSB-7BC strainers can be supplied with a stainless steel blow-off plug upon request.

### SCREENS

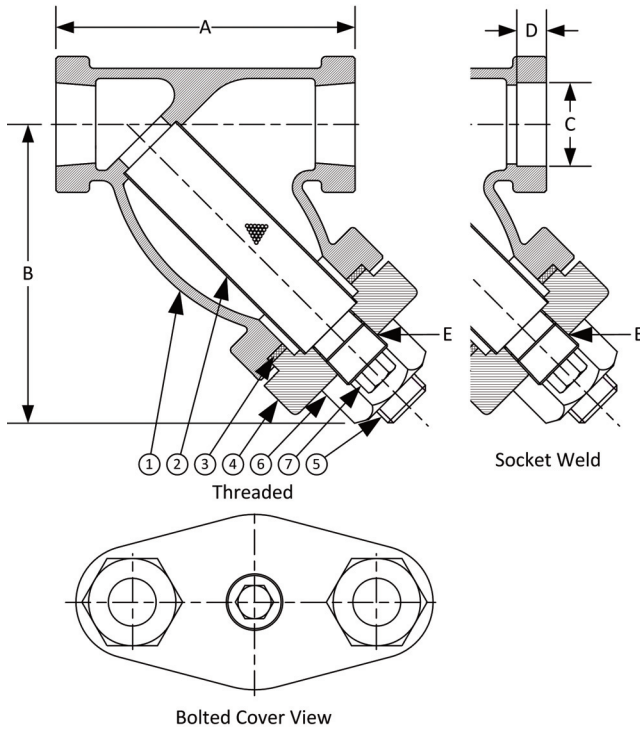
Standard perforated 304 stainless steel screens are spot welded along the seam for maximum strength. Different size perforations and meshes are available in stainless steel, monel, and brass to meet specific media requirements. If media is not indicated, screens for *steam* will be supplied.

### SELF CLEANING

Self cleaning is accomplished by opening the valve or drain plug connected to the blow-off port. **Warning:** See Maintenance Instructions on page S6 of the Strainer Information Section for additional precautions and detailed information on servicing the strainer.

### WORKING PRESSURES - NON SHOCK

NOM. RATING	MEDIA	1/4" to 3"	8 mm to 80 mm
600# (THREADED & SOCKET WELD)	STEAM	600 PSI @ 1125°F	4138 KPa @ 607°C
	W.O.G.	1440 PSI @ 100°F	9932 KPa @ 38°C



## Style SSB-7BC

Y-Strainer, 600 lb. Threaded & Socket Weld  
Bolted Cover

Stainless Steel (ASTM A 351, Grade CF8M)

PARTS LIST		
ITEM	DESCRIPTION	MATERIAL
1	Body	Stainless Steel (ASTM A 351, Grade CF8M)
2	Screen	Stainless Steel (304)
3	Gasket	Spiral Wound Stainless Steel (304)
4	Cap	Stainless Steel (ASTM A 351, Grade CF8M)
5	Stud	Stainless Steel (ASTM A 193, Grade B8)
6	Nut	Stainless Steel (ASTM A 194, Grade 8)
7	Plug	Stainless Steel (ASTM A 182, Grade F-304)

\*Optional Body Materials Available in 304 and 400 Series SS, Alloy 20, Hastelloy, Inconel, Monel and Stellite..

### STANDARD SCREENS SUPPLIED

SIZE		SCREEN GAGE	SCREEN PERFORATION					
in	mm		FOR STEAM		FOR LIQUID			
			in	mm	AREA	in	mm	AREA
1/4 to 3	8 to 80	21	3/64	1.2	33%	1/16	1.6	30%

Standard screens supplied are for **steam service**, unless otherwise specified.  
Options: Other perforations, meshes, and screen materials are available.

SIZE		DIMENSIONS										WEIGHTS	
		A		B		C		D		E			
in	mm	in	mm	in	mm	in	mm	in	mm	in	mm	lbs	kgs
1/4	8	3	76	2-1/2	63	0.555	14	3/8	10	1/4	8	3	1.3
3/8	10	3	76	2-1/2	63	0.690	18	3/8	10	1/4	8	3	1.3
1/2	15	3-7/8	99	3-1/4	83	0.855	22	3/8	10	1/4	8	4	1.8
3/4	20	4-1/4	108	4-1/4	108	1.065	27	1/2	13	3/8	10	5	2.3
1	22	4-15/16	125	4-5/8	117	1.330	34	1/2	13	1/2	15	7	3
1-1/4	32	5-5/8	143	5-1/2	140	1.675	43	1/2	13	3/4	20	11	5
1-1/2	40	6-1/4	159	6-1/4	159	1.915	49	1/2	13	3/4	20	16	7.25
2	50	7-1/2	191	7-1/4	184	2.406	61	5/8	16	1	25	22	10
2-1/2	65	12	305	9-3/8	238	2.906	74	5/8	16	1-1/4	32	43	19.5
3	80	12	305	9-3/8	238	3.535	90	5/8	16	1-1/4	32	43	19.5

Certified dimensional drawings are available upon request.

†This table reflects only the nearest metric equivalents.

### FLOW COEFFICIENTS

Size	C <sub>v</sub>	Size	C <sub>v</sub>	Size	C <sub>v</sub>
1/4"	9.5	1"	30	2-1/2"	129.7
3/8"	9.5	1-1/4"	44.9	3"	161.3
1/2"	9.5	1-1/2"	61		
3/4"	18.7	2"	98		

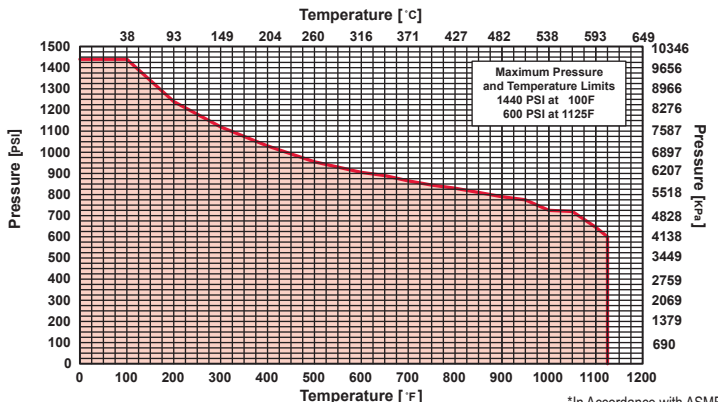
### TOTAL SCREEN AREA

Size	(in <sup>2</sup> )	Size	(in <sup>2</sup> )	Size	(in <sup>2</sup> )
1/4"	4.36	1"	13.84	2-1/2"	69.82
3/8"	4.36	1-1/4"	20.83	3"	69.82
1/2"	4.36	1-1/2"	24.02		
3/4"	9.37	2"	35.48		

\*See DETERMINING RATIOS on page S5 of the Strainer Information Section for calculating NET FREE AREA of the screen to inside pipe area.

### PRESSURE vs. TEMPERATURE CHART

600# Threaded & Socket Weld Stainless Steel (ASTM A 351, Grade CF8M)



\*In Accordance with ASME B16.34

# Style SSB

## Y-Strainer

Stainless Steel (ASTM A 351, Grade CF8M)

1500 lb. Threaded

1500 lb. Socket Weld



# Cast 316 Stainless Steel Y-Strainer

## APPLICATIONS

Steam, water, oil or gas where protection from foreign matter in a pipeline is required.

## CONSTRUCTION

The Keckley Style SSB strainers are constructed from rugged 316 stainless steel castings that are machined to exacting specifications.

Socket Weld bore is in compliance with ASME B16.11 unless otherwise specified.

## FEATURES

The Keckley Style SSB strainer features a machined groove in the body and cap for proper alignment and to ensure accurate reseating when servicing is required. The gasket is 304 stainless steel spiral wound and is compressed between the body and cover (for maximum strength and durability) and designed for both high pressure and high temperature service. The cover is not supplied with a blow-off hole.

## SCREENS

Standard perforated 304 stainless steel screens are spot welded along the seam for maximum strength. Different size perforations and meshes are available in stainless steel, monel, and brass to meet specific media requirements. If media is not indicated, screens for *steam* will be supplied.

## SELF CLEANING

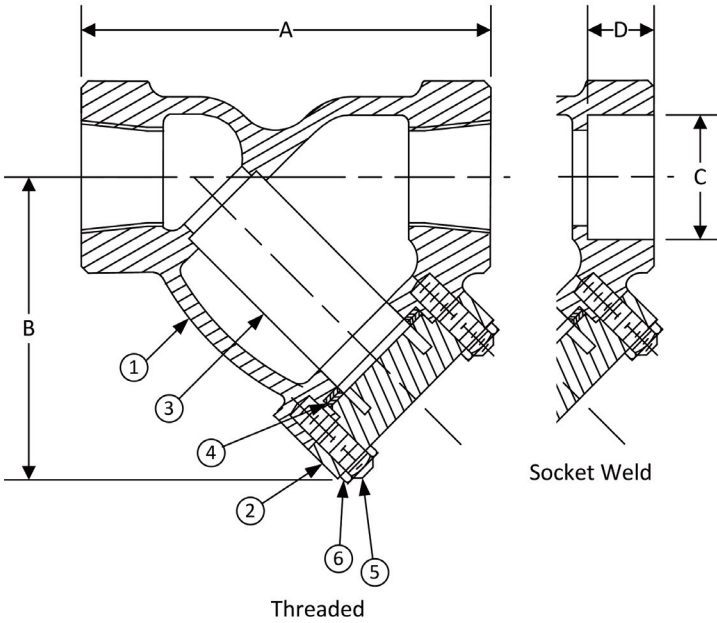
**Warning:** See Maintenance Instructions on page **S6** of the Strainer Information Section for additional precautions and detailed information on servicing the strainer.

## WORKING PRESSURES - NON SHOCK

NOM. RATING	MEDIA	1/2" to 3"	15 mm to 80 mm
1500# (THREADED & SOCKET WELD)	STEAM	1500 PSI @ 1125°F	10346 KPa @ 607°C
	W.O.G.	3600 PSI @ 100°F	24829 KPa @ 38°C

## Style SSB

**Y-Strainer, 1500 lb. Threaded & Socket Weld**  
**Stainless Steel (ASTM A 351, Grade CF8M)**



PARTS LIST		
ITEM	DESCRIPTION	MATERIAL
1*	Body	Stainless Steel (ASTM A 351, Grade CF8M)
2	Cover	Stainless Steel (ASTM A 351, Grade CF8M)
3	Screen	Stainless Steel (304)
4	Gasket	Spiral Wound Stainless Steel (304)
5	Studs	Stainless Steel (ASTM A 193, Grade B8)
6	Nuts	Stainless Steel (ASTM A 194, Grade 8)

\*Optional Body Materials Available in 304 and 400 Series SS, Alloy 20, Hastelloy, Inconel, Monel and Stellite.

SIZE		SCREEN GAGE	SCREEN PERFORATION					
in	mm		FOR STEAM	OPEN AREA	FOR LIQUID	OPEN AREA		
1/2 to 3	15 to 80	26	1/32	0.8	28%	1/16	1.6	30%

Standard screens supplied are for **steam service**, unless otherwise specified. Options: Other perforations, meshes, and screen materials are available.

SIZE		DIMENSIONS								WEIGHTS	
		A		B		C		D			
in	mm	in	mm	in	mm	in	mm	in	mm	lbs	kgs
1/2	15	3-15/16	100	3	76	0.855	22	3/8	10	10	5
3/4	20	4-1/4	108	3-3/4	95	1.065	27	1/2	13	12	5
1	25	5	127	5	127	1.330	34	1/2	13	15	7
1-1/4	32	8-3/8	213	5-1/2	140	1.675	43	1/2	13	22	10
1-1/2	40	8-3/8	213	5-1/2	140	1.915	49	1/2	13	22	10
2	50	9-5/16	237	7-3/8	187	2.406	61	5/8	16	30	14
2-1/2	65	12	305	10-1/2	267	2.906	74	5/8	16	50	23
3	80	12	305	10-1/2	267	3.535	90	5/8	16	50	23

Certified dimensional drawings are available upon request.

†This table reflects only the nearest metric equivalents.

### FLOW COEFFICIENTS

Size	C <sub>v</sub>	Size	C <sub>v</sub>	Size	C <sub>v</sub>
1/2"	9	1-1/4"	45	2-1/2"	129
3/4"	18	1-1/2"	60	3"	170
1"	30	2"	98		

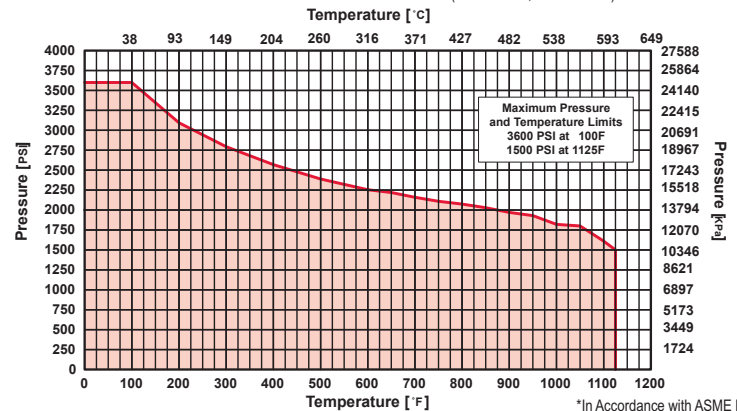
### TOTAL SCREEN AREA

Size	(in <sup>2</sup> )	Size	(in <sup>2</sup> )	Size	(in <sup>2</sup> )
1/2"	5.97	1-1/4"	27.94	2-1/2"	77.80
3/4"	9.73	1-1/2"	27.94	3"	79.48
1"	17.55	2"	38.08		

\*See DETERMINING RATIOS on page S5 of the Strainer Information Section for calculating NET FREE AREA of the screen to inside pipe area.

### PRESSURE vs. TEMPERATURE CHART

1500# Threaded & Socket Weld Stainless Steel (ASTM A 351, Grade CF8M)



\*In Accordance with ASME B16.11



# Style SSA-7

Y-Strainer

Stainless Steel (ASTM A 351, Grade CF8M)

150 lb. & 300 lb. Flanged



## Cast 316 Stainless Steel Y-Strainer

### APPLICATIONS

Steam, water, oil or gas where protection from foreign matter in a pipeline is required.

### CONSTRUCTION

The Keckley Style SSA-7 strainers are constructed from rugged 316 stainless steel castings and are machined to exacting specifications. These bodies have drilled flanges that are in accordance with ASME B16.5. All flanges come standard with back-faced bolt holes.

### FEATURES

The Keckley Style SSA-7 strainer features a machined groove in both the body and cover for proper screen alignment and to ensure accurate reseating when servicing is required. The gasket is 304 stainless steel spiral wound and is compressed between the body and cover (for maximum strength and durability) and designed for high pressure and high temperature service. All Keckley Style SSA-7 strainers have cap screws and can be furnished with a stainless steel blow-off plug upon request.

Blind covers are available upon request.

### SCREENS

Standard perforated 304 stainless steel screens are spot welded along the seam for maximum strength. Different size perforations and meshes are available in stainless steel, monel, and brass to meet specific media requirements. If media is not indicated, screens for *steam* will be supplied.

### SELF CLEANING

Self cleaning is accomplished by opening the valve or drain plug connected to the blow-off port. **Warning:** See Maintenance Instructions on page S6 of the Strainer Information Section for additional precautions and detailed information on servicing the strainer.

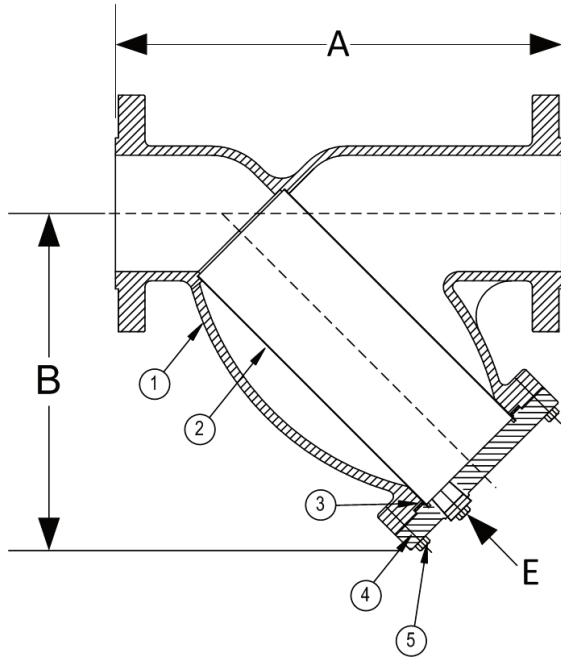
### WORKING PRESSURES - NON SHOCK

NOM. RATING	MEDIA	1/2" to 12"	15 mm to 300 mm
150# R.F. & D. (STANDARD FLANGE)	STEAM	150 PSI @ 565°F	1035 KPa @ 296°C
	W.O.G.	275 PSI @ 100°F	1897 KPa @ 38°C
NOM. RATING	MEDIA	1/2" to 12"	15 mm to 300 mm
300# R.F. & D. (EX. HEAVY FLANGE)	STEAM	300 PSI @ 1125°F	2069 KPa @ 607°C
	W.O.G.	720 PSI @ 100°F	4966 KPa @ 38°C



# Style SSA-7

Y-Strainer, 150 lb. & 300 lb. Flanged  
Stainless Steel (ASTM A 351, Grade CF8M)



**PARTS LIST**

ITEM	DESCRIPTION	MATERIAL
1*	Body	Stainless Steel (ASTM A 351, Grade CF8M)
2	Screen	Stainless Steel (304)
3	Gasket	Spiral Wound Stainless Steel (304)
4	Cover	Stainless Steel (ASTM A 351, Grade CF8M)
5	Hex Head Cap Screw	Stainless Steel (ASTM A 193, Grade B8)

Optional: Blow-off Plug, Stainless Steel (304).

\*Optional Body Materials Available in 304 and 400 Series SS, Alloy 20, Hastelloy, Inconel, Monel and Stellite.

**STANDARD SCREENS SUPPLIED**

SIZE		SCREEN GAGE	SCREEN PERFORMANCE					
in	mm		FOR STEAM		FOR LIQUID		OPEN AREA	
			in	mm	AREA	in	mm	AREA
1/2 to 4	15 to 100	28	3/64	1.2	33%	1/16	1.6	30%
5 to 10	125 to 250	22	3/64	1.2	33%	1/8	3.2	43%
12 & 14	300 & 350	22	1/16	1.6	30%	1/8	3.2	43%

Standard screens supplied are for **steam service**, unless otherwise specified.

Options: Other perforations, meshes, and screen materials are available.

SIZE		DIMENSIONS										WEIGHTS			
		A				B				E		150#		300#	
		150#	300#	150#	300#	150# & 300#	150#	300#	lbs	kgs	lbs	kgs			
in	mm	in	mm	in	mm	in	mm	in	mm	in	mm	lbs	kgs	lbs	kgs
1/2	15	6-1/2	165	6-1/8	156	3-3/4	95	3-3/4	95	3/8	10	7	3	6	3
3/4	20	7-3/8	187	7-3/4	197	4-1/4	108	4-1/4	108	1/2	15	11	5	13	6
1	25	7-3/8	187	7-7/8	200	4-1/4	108	4-1/4	108	1/2	15	11	5	13	6
1-1/4	32	7	178	8-1/8	206	5-1/8	130	5-1/8	130	1/2	15	12	5	19	9
1-1/2	40	7-1/8	181	8-1/4	210	5-1/8	130	5-1/8	130	1/2	15	14	6	19	9
2	50	7-7/8	200	9-1/2	241	6	152	6	152	1/2	15	22	10	33	15
2-1/2	65	9-3/4	248	10-3/8	264	7	178	7	178	1	25	32	15	44	20
3	80	10-1/16	256	12	305	7-7/16	189	7-5/16	186	1	25	41	19	58	26
4	100	12-1/8	308	14-1/2	368	8-15/16	227	8-15/16	227	1-1/2	40	63	29	90	41
5	125	15-1/2	394	19-5/16	491	13-1/32	331	13-1/32	331	2	50	111	50	180	82
6	150	18-1/2	470	19-5/16	491	13-1/4	337	13-1/4	337	2	50	136	62	180	82
8	200	21-3/8	543	23-3/8	594	15-1/2	394	15-1/2	394	2	50	212	96	304	138
10	250	26	660	27-3/8	695	18-7/16	468	18-7/16	468	2	50	280	127	470	213
12	300	29-7/8	759	32	813	21-5/8	549	21-5/8	549	2	50	460	209	709	322
14	350	34-1/2	876	36	914	25	635	25	635	2	50	980	445	1300	590

Certified dimensional drawings are available upon request.

†This table reflects only the nearest metric equivalents.

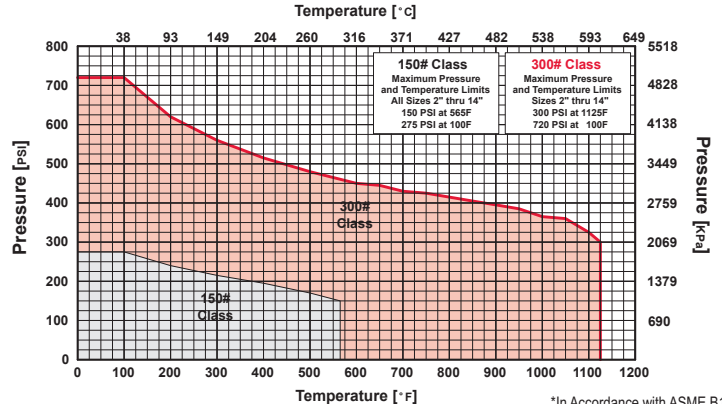
**TOTAL SCREEN AREA**

Size	(in <sup>2</sup> )	Size	(in <sup>2</sup> )	Size	(in <sup>2</sup> )	Size	(in <sup>2</sup> )
1/2"	6.46	1-1/2"	18.68	4"	91.89	10"	532.80
3/4"	12.32	2"	30.28	5"	209.41	12"	600.71
1"	12.32	2-1/2"	46.91	6"	241.18	(Total screen area listed for 150 lb. class only)	
1-1/4"	18.68	3"	57.62	8"	342.86		

\*See DETERMINING RATIOS on page S5 of the Strainer Information Section for calculating NET FREE AREA of the screen to inside pipe area.

**PRESSURE vs. TEMPERATURE CHART**

150# & 300# Flanged Stainless Steel (ASTM A 351, Grade CF8M)



# Style SSA

Y-Strainer

Stainless Steel (ASTM A 351, Grade CF8M)

600 lb. Flanged



## Cast 316 Stainless Steel Y-Strainer

### APPLICATIONS

Steam, water, oil or gas where protection from foreign matter in a pipeline is required.

### CONSTRUCTION

The Keckley Style SSA strainers are constructed from rugged 316 stainless steel castings and are machined to exacting specifications. These bodies have drilled flanges that are in accordance with ASME B16.5. All flanges come standard with back-faced bolt holes.

### FEATURES

The Keckley Style SSA strainer features a machined groove in both the body and cover for proper screen alignment and to ensure accurate reseating when servicing is required. The gasket is 304 stainless steel spiral wound and is compressed between the body and cover (for maximum strength and durability) and designed for high pressure and high temperature service. All Keckley Style SSA strainers have cap screws and can be furnished with a stainless steel blow-off plug upon request.

Blind covers are available upon request.

### SCREENS

Standard perforated 304 stainless steel screens are spot welded along the seam for maximum strength. Different size perforations and meshes are available in stainless steel, monel, and brass to meet specific media requirements. If media is not indicated, screens for *steam* will be supplied.

### SELF CLEANING

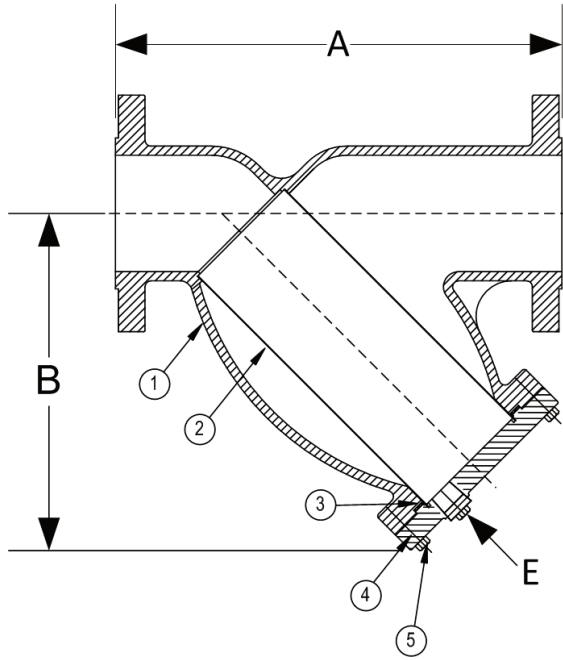
Self cleaning is accomplished by opening the valve or drain plug connected to the blow-off port. **Warning:** See Maintenance Instructions on page S6 of the Strainer Information Section for additional precautions and detailed information on servicing the strainer.

### WORKING PRESSURES - NON SHOCK

NOM. RATING	MEDIA	1/2" to 12"	15 mm to 300 mm
600# R.F. & D. (FLANGE)	STEAM	600 PSI @ 1125°F	4138 KPa @ 607°C
	W.O.G.	1440 PSI @ 100°F	9932 KPa @ 38°C

# Style SA

**Y-Strainer, 600 lb. Flanged**  
**Stainless Steel (ASTM A 351, Grade CF8M)**



**PARTS LIST**

ITEM	DESCRIPTION	MATERIAL
1	Body	Stainless Steel (ASTM A 351, Grade CF8M)
2	Screen	Stainless Steel (304)
3	Gasket	Spiral Wound Stainless Steel (304)
4	Cover	Stainless Steel (ASTM A 351, Grade CF8M)
5	Hex Head Cap Screw	Stainless Steel (ASTM A 193, Grade B8)

Optional: Blow-off Plug, Stainless Steel (304).

\*Optional Body Materials Available in 304 and 400 SS, Alloy 20, Hastelloy, Inconel, Monel and Stellite.

**STANDARD SCREENS SUPPLIED**

SIZE		SCREEN GAGE	SCREEN PERFORATION					
in	mm		FOR STEAM		OPEN AREA		FOR LIQUID	
			in	mm		in	mm	AREA
2 to 4	50 to 100	28	3/64	1.2	33%	1/16	1.6	30%
5 to 10	125 to 250	22	3/64	1.2	33%	1/8	3.2	43%
12	300	22	1/16	1.6	30%	1/8	3.2	43%

Standard screens supplied are for **steam service**, unless otherwise specified.

Options: Other perforations, meshes, and screen materials are available.

SIZE		DIMENSIONS						WEIGHTS	
in	mm	A		B		E		lbs	kgs
		in	mm	in	mm	in	mm		
1/2	15	6-5/8	168	3-1/2	89	3/8	10	6	3
3/4	20	8-3/8	213	3-3/4	95	1/2	15	13	6
1	25	8-3/8	213	3-3/4	95	1/2	15	13	6
1-1/4	32	10-1/8	257	5-1/2	140	1/2	15	19	9
1-1/2	40	10-1/4	360	5-1/2	140	1/2	15	27	12
2	50	11	279	7	178	1/2	15	40	18
2-1/2	65	12	305	8-1/4	210	1	25	60	27
3	80	13-1/2	343	9-1/4	235	1	25	78	35
4	100	18	457	12-1/2	318	1-1/2	40	160	73
6	150	25-5/8	651	20	508	2	50	364	165
8	200	31-3/4	806	24	610	2	50	670	304
10	250	37-3/4	959	28-1/2	724	2	50	1090	494
12	300	45-1/2	1156	34-1/2	876	2	50	1558	707

Larger sizes available upon request.

†This table reflects only the nearest metric equivalents.

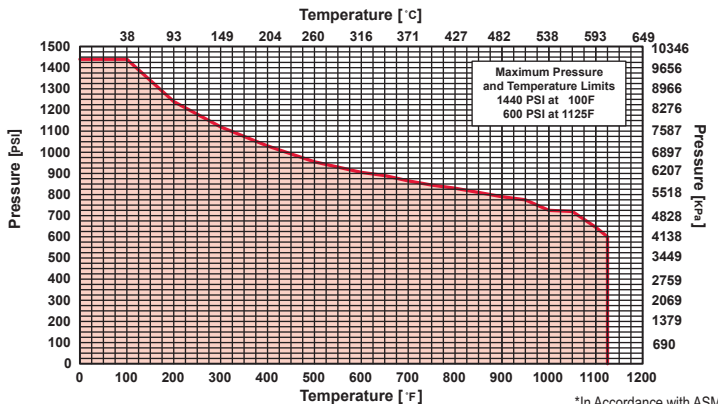
**TOTAL SCREEN AREA**

Size	(in <sup>2</sup> )	Size	(in <sup>2</sup> )	Size	(in <sup>2</sup> )	Size	(in <sup>2</sup> )
1/2"	--	1-1/2"	--	4"	151.49	12"	1313.88
3/4"	--	2"	44.17	6"	416.73		
1"	--	2-1/2"	64.14	8"	630.23		
1-1/4"	--	3"	77.63	10"	894.52		

\*See DETERMINING RATIOS on page S5 of the Strainer Information Section for calculating NET FREE AREA of the screen to inside pipe area.

**PRESSURE vs. TEMPERATURE CHART**

600# Flanged Stainless Steel (ASTM A 351, Grade CF8M)



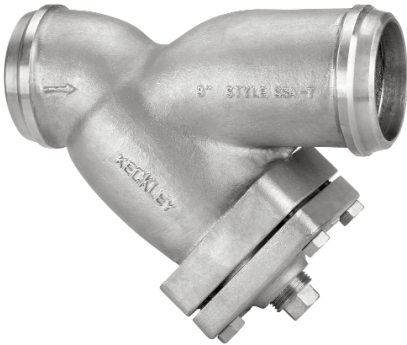
\*In Accordance with ASME B16.5

# Style SSA-7

Y-Strainer

Stainless Steel (ASTM A 351, Grade CF8M)

150 lb. & 300 lb. Butt Weld



## Cast 316 Stainless Steel Y-Strainer

### APPLICATIONS

Steam, water, oil or gas where protection from foreign matter in a pipeline is required.

### CONSTRUCTION

The Keckley Style SSA-7 strainers are constructed from rugged 316 stainless steel castings and are machined to exacting specifications.

Style SSA-7 butt weld connections will be machined to match schedule 40 pipe.

### FEATURES

The Keckley Style SSA-7 strainer features a machined groove in both the body and cover for proper screen alignment and to ensure accurate reseating when servicing is required. The gasket is 304 stainless steel spiral wound and is compressed between the body and cover (for maximum strength and durability) and designed for high pressure and high temperature service. All Keckley Style SSA-7 strainers have cap screws and can be furnished with a stainless steel blow-off plug upon request.

Blind covers are available upon request.

### SCREENS

Standard perforated 304 stainless steel screens are spot welded along the seam for maximum strength. Different size perforations and meshes are available in stainless steel, monel, and brass to meet specific media requirements. If media is not indicated, screens for *steam* will be supplied.

### SELF CLEANING

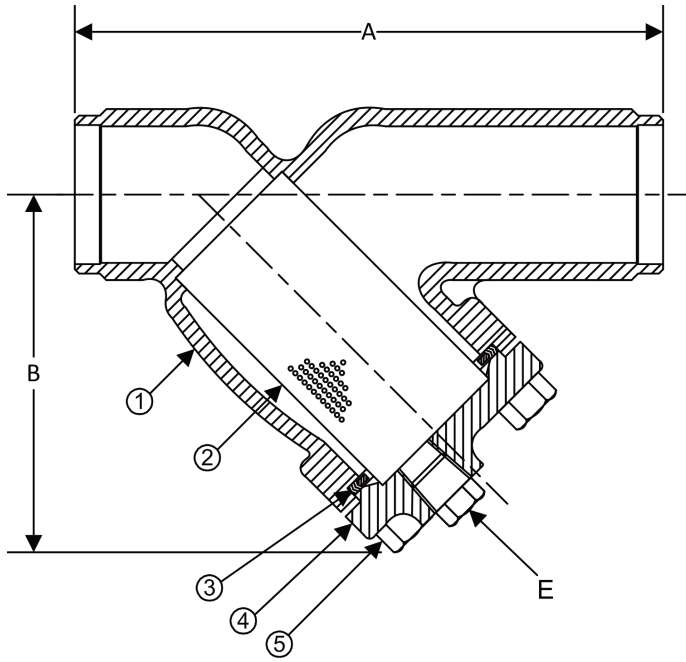
Self cleaning is accomplished by opening the valve or drain plug connected to the blow-off port. **Warning:** See Maintenance Instructions on page S6 of the Strainer Information Section for additional precautions and detailed information on servicing the strainer.

### WORKING PRESSURES - NON SHOCK

NOM. RATING	MEDIA	1/2" to 12"	15 mm to 300 mm
150# (BUTT WELD)	STEAM	150 PSI @ 565°F	1035 KPa @ 296°C
	W.O.G.	275 PSI @ 100°F	1897 KPa @ 38°C
NOM. RATING	MEDIA	1/2" to 12"	15 mm to 300 mm
300# (BUTT WELD)	STEAM	300 PSI @ 1125°F	2069 KPa @ 607°C
	W.O.G.	720 PSI @ 100°F	4977 KPa @ 38°C

# Style SSA-7

**Y-Strainer, 150 lb. & 300 lb. Butt Weld**  
**Stainless Steel (ASTM A 351, Grade CF8M)**



**PARTS LIST**

ITEM	DESCRIPTION	MATERIAL
1*	Body	Stainless Steel (ASTM A 351, Grade CF8M)
2	Screen	Stainless Steel (304)
3	Gasket	Spiral Wound Stainless Steel (304)
4	Cover	Stainless Steel (ASTM A 351, Grade CF8M)
5	Hex Head Cap Screw	Stainless Steel (ASTM A 193, Grade B8)

Optional: Blow-off Plug, Stainless Steel (304).

\*Optional Body Materials Available in 304 and 400 Series SS, Alloy 20, Hastelloy, Inconel, Monel and Stellite.

**STANDARD SCREENS SUPPLIED**

SIZE		SCREEN GAGE	SCREEN PERFORMANCE					
in	mm		FOR STEAM		FOR LIQUID			
			in	mm	AREA	in	mm	AREA
1/2 to 4	15 to 100	28	3/64	1.2	33%	1/16	1.6	30%
5 to 10	125 to 250	22	3/64	1.2	33%	1/8	3.2	43%
12 & 14	300 & 350	22	1/16	1.6	30%	1/8	3.2	43%

Standard screens supplied are for **steam service**, unless otherwise specified.

Options: Other perforations, meshes, and screen materials are available.

SIZE		DIMENSIONS										WEIGHTS			
		A				B				E		150#		300#	
		150#	300#	150#	300#	150# & 300#	150#	kgs	300#	kgs					
in	mm	in	mm	in	mm	in	mm	in	mm	in	mm	lbs	kgs	lbs	kgs
1/2	15	6-1/2	165	6-1/8	156	3-3/4	95	3-3/4	95	3/8	10	7	3	6	3
3/4	20	7-3/8	187	7-3/4	197	4-1/4	108	4-1/4	108	1/2	15	11	5	13	6
1	25	7-3/8	187	7-7/8	200	4-1/4	108	4-1/4	108	1/2	15	11	5	13	6
1-1/4	32	7	178	8-1/8	206	5-1/8	130	5-1/8	130	1/2	15	12	5	19	9
1-1/2	40	7-1/8	181	8-1/4	210	5-1/8	130	5-1/8	130	1/2	15	14	6	19	9
2	50	7-7/8	200	9-1/2	241	6	152	6	152	1/2	15	22	10	33	15
2-1/2	65	9-3/4	248	10-3/8	264	7	178	7	178	1	25	32	15	44	20
3	80	10-1/16	256	12	305	7-7/16	189	7-5/16	186	1	25	41	19	58	26
4	100	12-1/8	308	14-1/2	368	8-15/16	227	8-15/16	227	1-1/2	40	63	29	90	41
5	125	15-1/2	394	19-5/16	491	13-1/32	331	13-1/32	331	2	50	111	50	180	82
6	150	18-1/2	470	19-5/16	491	13-1/4	337	13-1/4	337	2	50	136	62	180	82
8	200	21-3/8	543	23-3/8	594	15-1/2	394	15-1/2	394	2	50	212	96	304	138
10	250	26	660	27-3/8	695	18-7/16	468	18-7/16	468	2	50	280	127	470	213
12	300	29-7/8	759	32	813	21-5/8	549	21-5/8	549	2	50	460	209	709	322

Certified dimensional drawings are available upon request.

†This table reflects only the nearest metric equivalents.

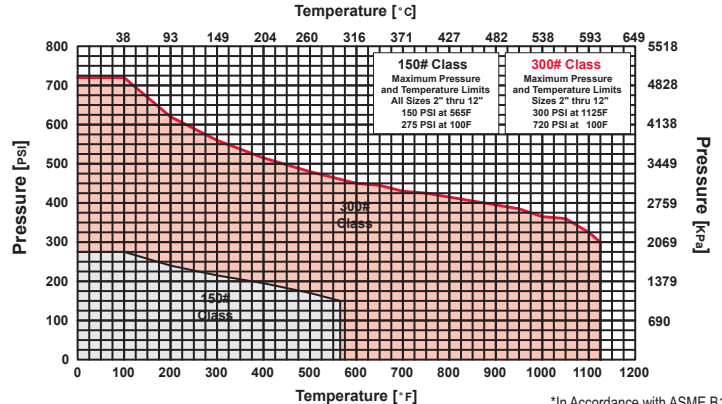
**TOTAL SCREEN AREA**

Size	(in <sup>2</sup> )	Size	(in <sup>2</sup> )	Size	(in <sup>2</sup> )	Size	(in <sup>2</sup> )
1/2"	6.46	1-1/2"	18.68	4"	91.89	10"	532.80
3/4"	12.32	2"	30.28	5"	209.41	12"	600.71
1"	12.32	2-1/2"	46.91	6"	241.18	(Total screen area listed for 150 lb. class only)	
1-1/4"	18.68	3"	57.62	8"	342.86		

\*See DETERMINING RATIOS on page S5 of the Strainer Information Section for calculating NET FREE AREA of the screen to inside pipe area.

**PRESSURE vs. TEMPERATURE CHART**

150# & 300# Butt Weld Stainless Steel (ASTM A 351, Grade CF8M)



\*In Accordance with ASME B16.4

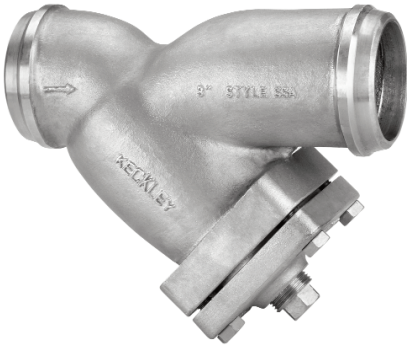


# Style SSA

Y-Strainer

Stainless Steel (ASTM A 351, Grade CF8M)

600 lb. Butt Weld



## Cast 316 Stainless Steel Y-Strainer

### APPLICATIONS

Steam, water, oil or gas where protection from foreign matter in a pipeline is required.

### CONSTRUCTION

The Keckley Style SSA strainers are constructed from rugged 316 stainless steel castings and are machined to exacting specifications.

Style SSA 600 lb. butt weld connections will be machined to match schedule 80 pipe unless otherwise specified.

### FEATURES

The Keckley Style SSA strainer features a machined groove in both the body and cover for proper screen alignment and to ensure accurate reseating when servicing is required. The gasket is 304 stainless steel spiral wound and is compressed between the body and cover (for maximum strength and durability) and designed for high pressure and high temperature service. All Keckley Style SSA strainers have cap screws and can be furnished with a stainless steel blow-off plug upon request.

Blind covers are available upon request.

### SCREENS

Standard perforated 304 stainless steel screens are spot welded along the seam for maximum strength. Different size perforations and meshes are available in stainless steel, monel, and brass to meet specific media requirements. If media is not indicated, screens for *steam* will be supplied.

### SELF CLEANING

Self cleaning is accomplished by opening the valve or drain plug connected to the blow-off port. **Warning:** See Maintenance Instructions on page S6 of the Strainer Information Section for additional precautions and detailed information on servicing the strainer.

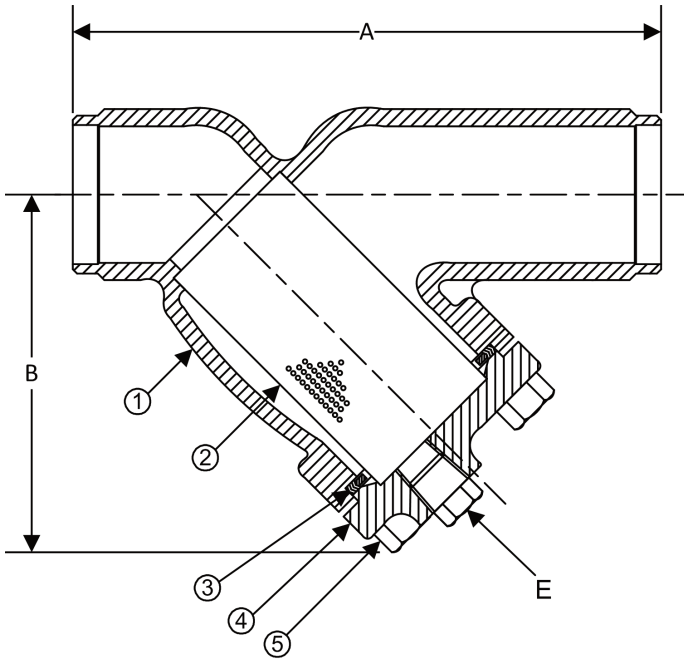
### WORKING PRESSURES - NON SHOCK

NOM. RATING	MEDIA	1/2" to 12"	15 mm to 300 mm
600# (BUTT WELD)	STEAM	600 PSI @ 1125°F	4138 KPa @ 607°C
	W.O.G.	1440 PSI @ 100°F	9932 KPa @ 38°C



# Style SSA

**Y-Strainer, 600 lb. Butt Weld**  
**Stainless Steel (ASTM A 351, Grade CF8M)**



**PARTS LIST**

ITEM	DESCRIPTION	MATERIAL
1	Body	Stainless Steel (ASTM A 351, Grade CF8M)
2	Screen	Stainless Steel (304)
3	Gasket	Spiral Wound Stainless Steel (304)
4	Cover	Stainless Steel (ASTM A 351, Grade CF8M)
5	Hex Head Cap Screw	Stainless Steel (ASTM A 193, Grade B8)

Optional: Blow-off Plug, Stainless Steel (304).

\*Optional Body Materials Available in 304 and 400 Series SS, Alloy 20, Hastelloy, Inconel, Monel and Stellite.

**STANDARD SCREENS SUPPLIED**

SIZE		SCREEN GAGE	SCREEN PERFORATION					
in	mm		FOR STEAM		FOR LIQUID		OPEN AREA	
			in	mm	AREA	in	mm	AREA
2 to 4	50 to 100	28	3/64	1.2	33%	1/16	1.6	30%
5 to 10	125 to 250	22	3/64	1.2	33%	1/8	3.2	43%
12	300	22	1/16	1.6	30%	1/8	3.2	43%

Standard screens supplied are for **steam service**, unless otherwise specified.

Options: Other perforations, meshes, and screen materials are available.

SIZE		DIMENSIONS						WEIGHTS	
in	mm	A		B		E		lbs	kgs
		in	mm	in	mm	in	mm		
1/2	15	6-5/8	168	3-1/2	89	3/8	10	6	3
3/4	20	8-3/8	213	3-3/4	95	1/2	15	13	6
1	25	8-3/8	213	3-3/4	95	1/2	15	13	6
1-1/4	32	10-1/8	257	5-1/2	140	1/2	15	19	9
1-1/2	40	10-1/4	360	5-1/2	140	1/2	15	27	12
2	50	11	279	7	178	1/2	15	40	18
2-1/2	65	12	305	8-1/4	210	1	25	60	27
3	80	13-1/2	343	9-1/4	235	1	25	78	35
4	100	18	457	12-1/2	318	1-1/2	40	160	73
6	150	25-5/8	651	20	508	2	50	364	165
8	200	31-3/4	806	24	610	2	50	670	304
10	250	37-3/4	959	28-1/2	724	2	50	1090	494
12	300	45-1/2	1156	34-1/2	876	2	50	1558	707

Larger sizes available upon request.

†This table reflects only the nearest metric equivalents.

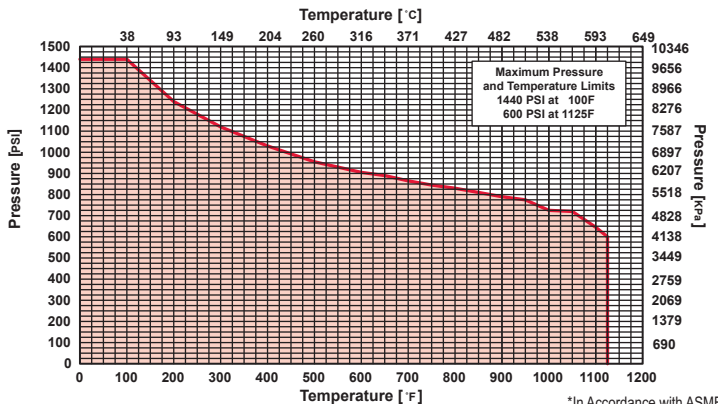
**TOTAL SCREEN AREA**

Size	(in <sup>2</sup> )	Size	(in <sup>2</sup> )	Size	(in <sup>2</sup> )	Size	(in <sup>2</sup> )
1/2"	--	1-1/2"	--	4"	151.49	12"	1313.88
3/4"	--	2"	44.17	6"	416.73		
1"	--	2-1/2"	64.14	8"	630.23		
1-1/4"	--	3"	77.63	10"	894.52		

\*See DETERMINING RATIOS on page S5 of the Strainer Information Section for calculating NET FREE AREA of the screen to inside pipe area.

**PRESSURE vs. TEMPERATURE CHART**

600# Butt Weld Stainless Steel (ASTM A 351, Grade CF8M)



\*In Accordance with ASME B16.34



# PRESSURE DROP CHART

## Threaded "Y" Pattern Strainers (Styles B, BDI, E-150, F-150, F-300, SB, SB-7, SSB and SSB-7)

This pressure drop chart is based on the flow of clean water through the Keckley "Y" strainers listed above with screen perforations ranging from 3/64" through 1/8" and is additionally for use with those units equipped with a 20 mesh screen as standard.

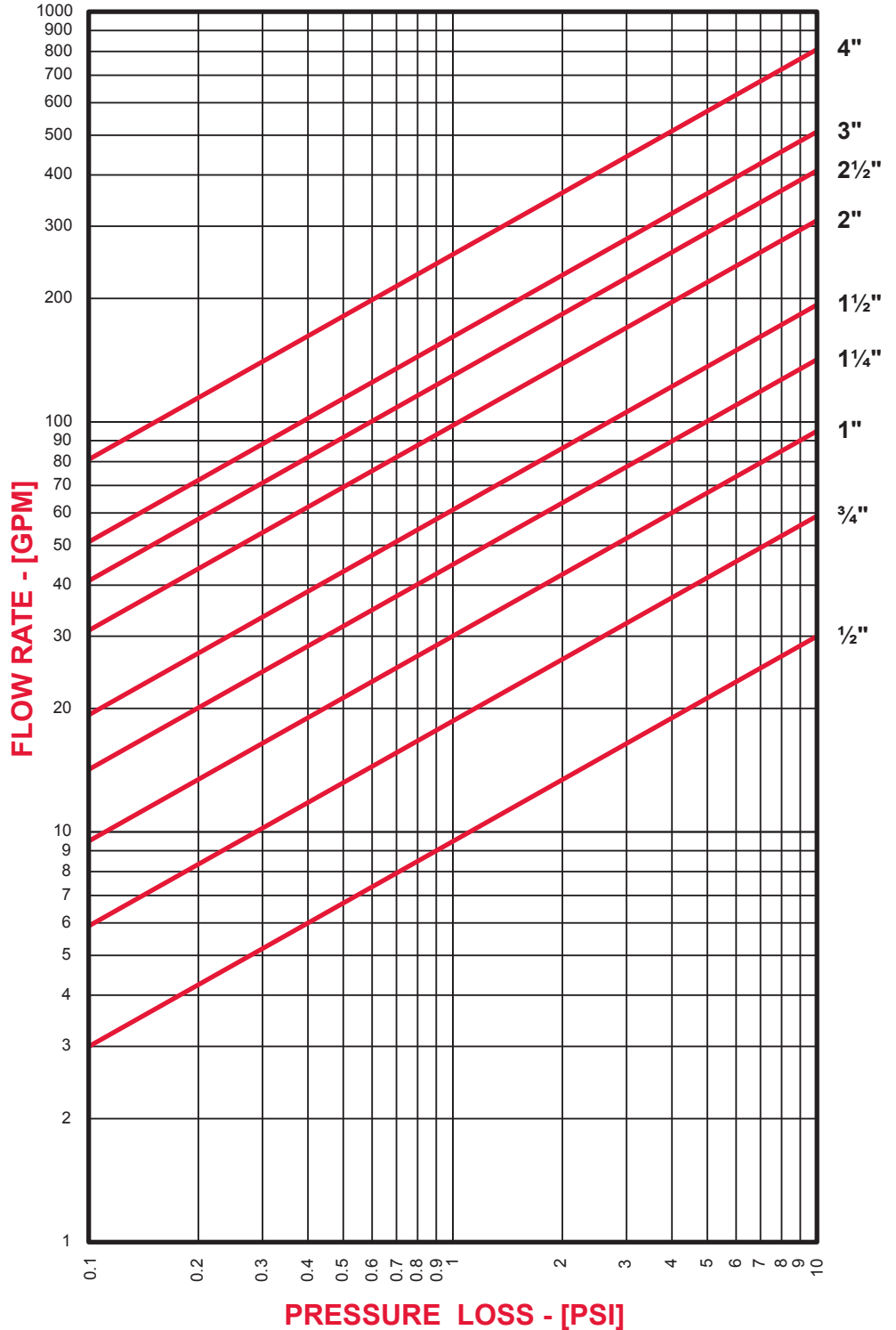
**TO USE CHARTS:**

Find your desired rate of flow (GPM) on the left hand side of the chart. Follow its corresponding horizontal line to the point where it intersects the diagonal line indicating the strainer pipe size. From this point of intersection, follow the vertical line down to the bottom of the chart to determine the approximate pressure drop.

**CORRECTION FACTORS:**

For finer mesh screens that are backed with a perforated sheet, multiply the pressure drops shown at right by the following:

- 40 mesh        x 1.2
- 60 mesh        x 1.4
- 80 mesh        x 1.6
- 100 mesh       x 1.7



## PRESSURE DROP CHART

### Flanged "Y" Pattern Strainers (Styles A, BA, BA-7, SA, SA-7, SSA and SSA-7)

This pressure drop chart is based on the flow of clean water through the Keckley "Y" strainers listed above with screen perforations ranging from 3/64" through 1/8".

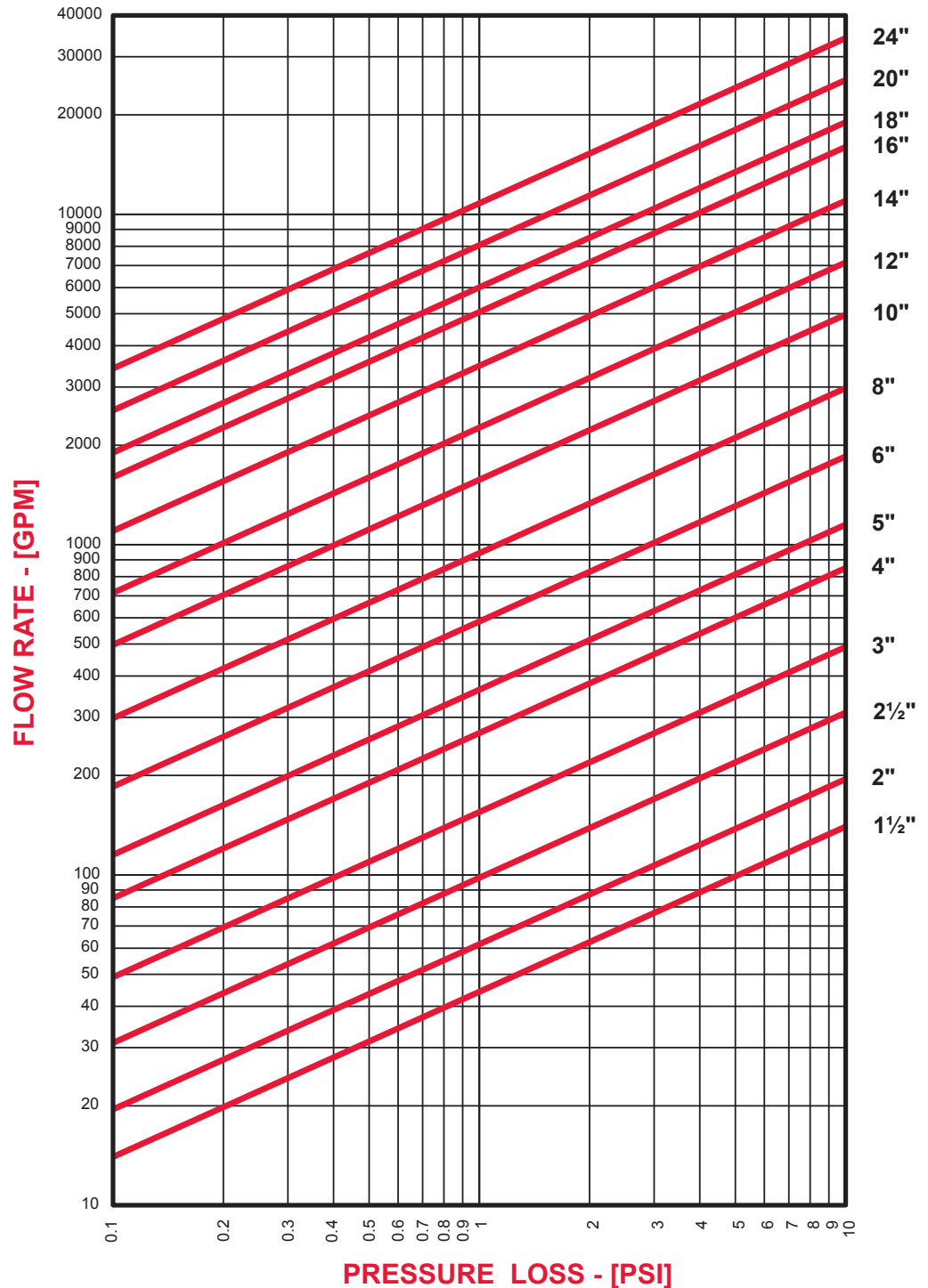
#### TO USE CHARTS:

Find your desired rate of flow (GPM) on the left hand side of the chart. Follow its corresponding horizontal line to the point where it intersects the diagonal line indicating the strainer pipe size. From this point of intersection, follow the vertical line down to the bottom of the chart to determine the approximate pressure drop.

#### CORRECTION FACTORS:

For finer mesh screens that are backed with a perforated sheet, multiply the pressure drops shown at right by the following:

40 mesh	x 1.2
60 mesh	x 1.4
80 mesh	x 1.6
100 mesh	x 1.7



# PRESSURE DROP CHART

## Threaded “Y” Pattern Strainers (Styles B7)

This pressure drop chart is based on the flow of clean water through the Keckley “Y” strainers listed above with screen perforations ranging from 3/64” through 1/8” and is additionally for use with those units equipped with a 20 mesh screen as standard.

### TO USE CHARTS:

Find your desired rate of flow (GPM) on the left hand side of the chart. Follow its corresponding horizontal line to the point where it intersects the diagonal line indicating the strainer pipe size. From this point of intersection, follow the vertical line down to the bottom of the chart to determine the approximate pressure drop.

### CORRECTION FACTORS:

For finer mesh screens that are backed with a perforated sheet, multiply the pressure drops shown at right by the following:

- 40 mesh      x 1.2
- 60 mesh      x 1.4
- 80 mesh      x 1.6
- 100 mesh     x 1.7

